

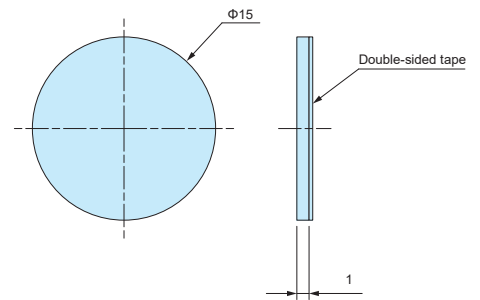
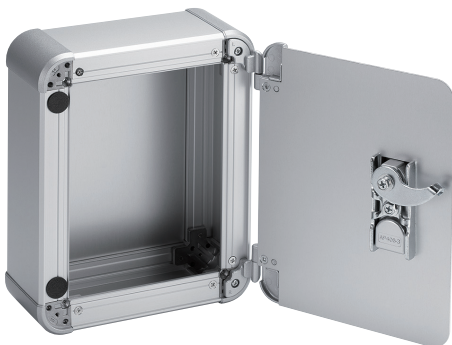
Product no. / Details

■ Please suffix handle and color code at the end of the product number.

Product no.	H	W	D	Weight (kg)	Handle / Hinge qty
AUH133-16-20□□□□	132.5	160	200	1.7	1 / 2
AUH133-16-25□□□□	132.5	160	250	1.9	1 / 2
AUH133-16-30□□□□	132.5	160	300	2.1	1 / 2
AUH133-20-20□□□□	132.5	200	200	1.8	1 / 2
AUH133-20-25□□□□	132.5	200	250	2.1	1 / 2
AUH133-20-30□□□□	132.5	200	300	2.3	1 / 2
AUH133-20-36□□□□	132.5	200	360	2.6	1 / 2
AUH133-25-25□□□□	132.5	250	250	2.4	1 / 2
AUH133-25-30□□□□	132.5	250	300	2.6	1 / 2
AUH133-25-36□□□□	132.5	250	360	2.9	1 / 2
AUH133-25-43□□□□	132.5	250	430	3.3	1 / 2
AUH133-30-20□□□□	132.5	300	200	2.3	1 / 2
AUH133-30-25□□□□	132.5	300	250	2.6	1 / 2
AUH133-30-30□□□□	132.5	300	300	2.9	1 / 2
AUH133-30-36□□□□	132.5	300	360	3.3	1 / 2
AUH133-30-43□□□□	132.5	300	430	3.7	1 / 2
AUH133-30-50□□□□	132.5	300	500	4.2	2 / 3
AUH133-36-25□□□□	132.5	360	250	2.9	1 / 2
AUH133-36-30□□□□	132.5	360	300	3.3	1 / 2
AUH133-36-36□□□□	132.5	360	360	3.6	1 / 2
AUH133-36-43□□□□	132.5	360	430	4.1	1 / 2
AUH133-36-50□□□□	132.5	360	500	4.7	2 / 3
AUH133-36-60□□□□	132.5	360	600	5.4	2 / 3
AUH133-43-30□□□□	132.5	430	300	3.7	1 / 2
AUH133-43-36□□□□	132.5	430	360	4.1	1 / 2
AUH133-43-43□□□□	132.5	430	430	4.6	1 / 2
AUH133-43-50□□□□	132.5	430	500	5.3	2 / 3
AUH133-43-60□□□□	132.5	430	600	6.0	2 / 3

Product no.	H	W	D	Weight (kg)	Handle / Hinge qty
AUH177-16-20□□□□	177	160	200	1.9	1 / 2
AUH177-16-25□□□□	177	160	250	2.1	1 / 2
AUH177-16-30□□□□	177	160	300	2.4	1 / 2
AUH177-20-20□□□□	177	200	200	2.1	1 / 2
AUH177-20-25□□□□	177	200	250	2.4	1 / 2
AUH177-20-30□□□□	177	200	300	2.6	1 / 2
AUH177-20-36□□□□	177	200	360	3.0	1 / 2
AUH177-25-25□□□□	177	250	250	2.7	1 / 2
AUH177-25-30□□□□	177	250	300	3.0	1 / 2
AUH177-25-36□□□□	177	250	360	3.3	1 / 2
AUH177-25-43□□□□	177	250	430	3.7	1 / 2
AUH177-30-20□□□□	177	300	200	2.6	1 / 2
AUH177-30-25□□□□	177	300	250	3.0	1 / 2
AUH177-30-30□□□□	177	300	300	3.3	1 / 2
AUH177-30-36□□□□	177	300	360	3.7	1 / 2
AUH177-30-43□□□□	177	300	430	4.1	1 / 2
AUH177-30-50□□□□	177	300	500	4.8	2 / 3
AUH177-36-25□□□□	177	360	250	3.3	1 / 2
AUH177-36-30□□□□	177	360	300	3.7	1 / 2
AUH177-36-36□□□□	177	360	360	4.1	1 / 2
AUH177-36-43□□□□	177	360	430	4.6	1 / 2
AUH177-36-50□□□□	177	360	500	5.3	2 / 3
AUH177-36-60□□□□	177	360	600	6.0	2 / 3
AUH177-43-30□□□□	177	430	300	4.1	1 / 2
AUH177-43-36□□□□	177	430	360	4.6	1 / 2
AUH177-43-43□□□□	177	430	430	5.2	1 / 2
AUH177-43-50□□□□	177	430	500	5.9	2 / 3
AUH177-43-60□□□□	177	430	600	6.7	2 / 3

ACP-15 ADHESIVE PANEL PROTECTION PAD ★ ★ NEW



■ Adhesive shock absorbing cushion for AUH series. Can be attached to the contact surface between the open-closing panel and the frame.

Product no. / Details

Product no.	Material	Color	Pack of
ACP-15	Polyolefin foam	Black	3