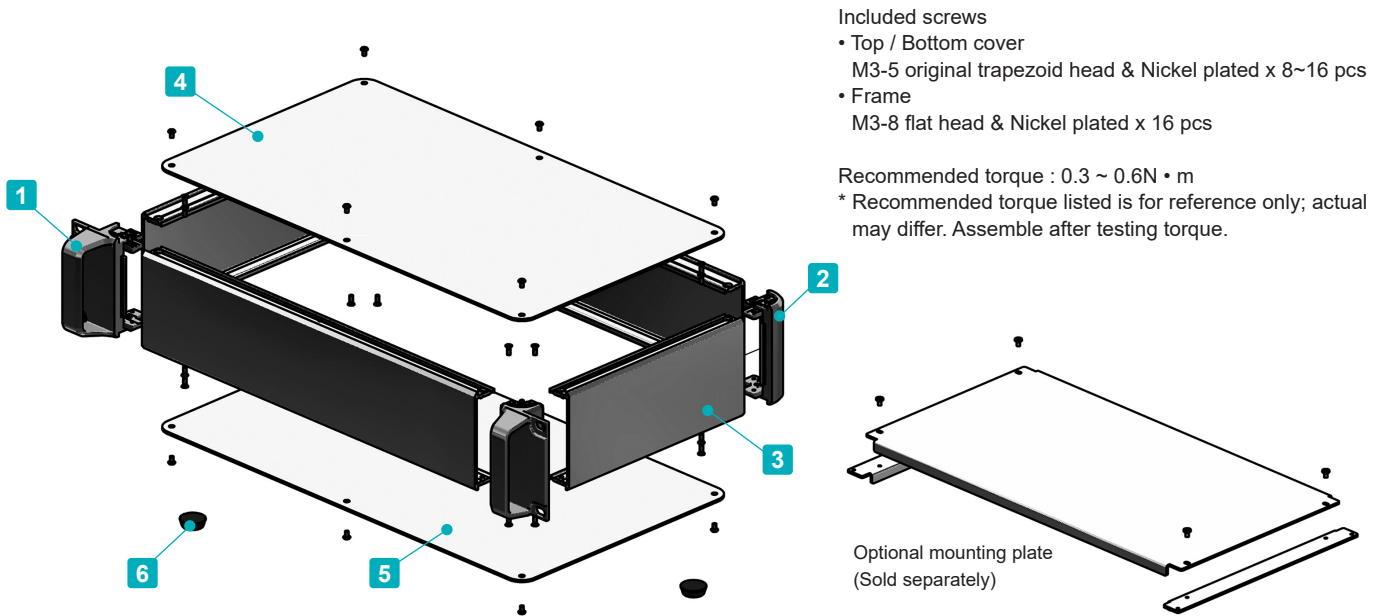


- 19" Rack Mount Enclosure with 4 extruded aluminium frames.
- Flat and rugged design rack mounting aluminium case with handles.
- A wide selection of 28 different sizes in 4 different colors to choose from.
- Suitable for use as audio/visual equipment, communication equipment, rack mount computers, measuring instruments and others.

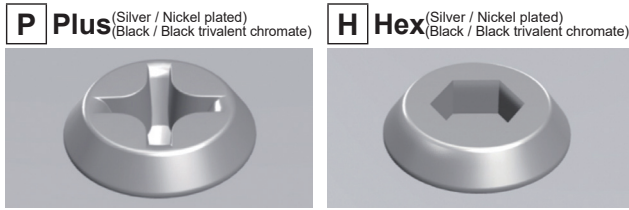


Components

No.	Part name	Pcs	Material	Color / Finish
1	Handle corner block	2	Diecast aluminium ADC12	Silver • Black / Painted (Unfinished inside)
2	Corner block	2	Diecast aluminium ADC12	Silver • Black / Painted (Unfinished inside)
3	Frame	4	Extruded aluminium A6063S-T5	Silver • Black / Anodized
4	Top cover	1	Aluminium A1100P	Silver • Black / Anodized
5	Bottom cover	1	Aluminium A1100P	Silver • Black / Anodized
6	Rubber feet	4	Synthetic rubber	Black

To select Screw and Color, follow steps **1** ~ **2** below to determine product number.

## 1 Screw

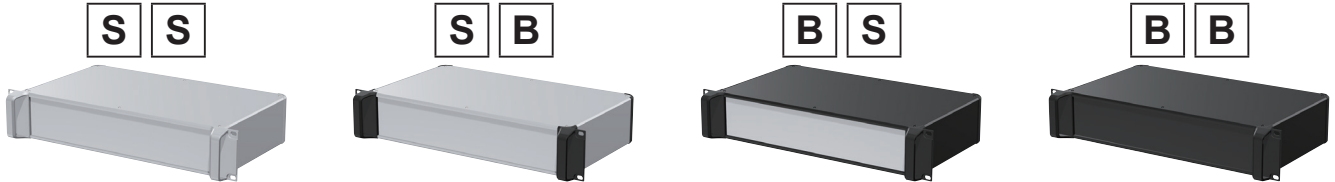


\*Color of screw will be the same as top • bottom cover color.

Hex wrench included.

## 2 Color

Please choose from the color combinations listed below.



## Product Number

To determine a product number, fill H-W-D dimensions and select Screw and Color code in the following blank boxes.

**AUXR**  -  -   -

**H-W-D dimensions** **Screw** **Color**  
 See below for dimensions / product no. (P or H) (SS • SB • BS • BB)

Numbering example : If looking at "H88 x W430 x D250mm, Screw type H, Color type BS"

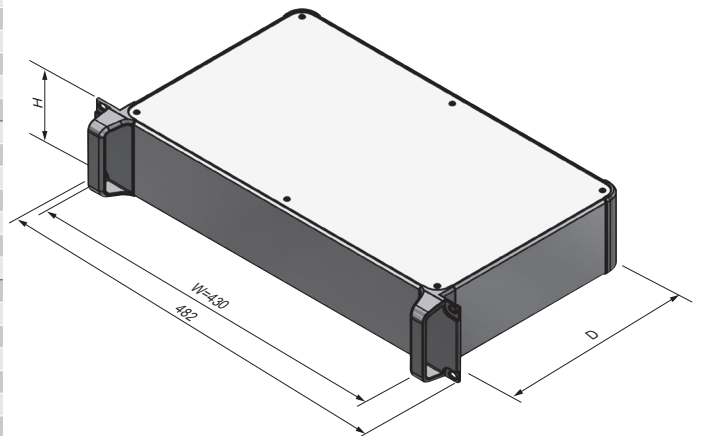
➔ **AUXR 88-43-25 H-BS**

Product no. / Details ■ Please suffix screw and color code at the end of the product number.

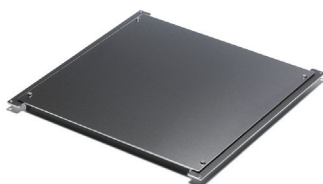
Product no.	H	W	D	Weight (kg)
AUXR 44-43-16□-□□	44	430	160	1.6
AUXR 44-43-20□-□□	44	430	200	1.8
AUXR 44-43-25□-□□	44	430	250	2.1
AUXR 44-43-30□-□□	44	430	300	2.4
AUXR 44-43-36□-□□	44	430	360	2.7
AUXR 44-43-43□-□□	44	430	430	3.1
AUXR 44-43-50□-□□	44	430	500	3.5
AUXR 88-43-16□-□□	88	430	160	2.0
AUXR 88-43-20□-□□	88	430	200	2.3
AUXR 88-43-25□-□□	88	430	250	2.6
AUXR 88-43-30□-□□	88	430	300	2.9
AUXR 88-43-36□-□□	88	430	360	3.3
AUXR 88-43-43□-□□	88	430	430	3.7
AUXR 88-43-50□-□□	88	430	500	4.2
AUXR133-43-16□-□□	132.5	430	160	2.6
AUXR133-43-20□-□□	132.5	430	200	2.9
AUXR133-43-25□-□□	132.5	430	250	3.2
AUXR133-43-30□-□□	132.5	430	300	3.6
AUXR133-43-36□-□□	132.5	430	360	4.0
AUXR133-43-43□-□□	132.5	430	430	4.6
AUXR133-43-50□-□□	132.5	430	500	5.1
AUXR177-43-16□-□□	177	430	160	3.0
AUXR177-43-20□-□□	177	430	200	3.4
AUXR177-43-25□-□□	177	430	250	3.8
AUXR177-43-30□-□□	177	430	300	4.2
AUXR177-43-36□-□□	177	430	360	4.6
AUXR177-43-43□-□□	177	430	430	5.2
AUXR177-43-50□-□□	177	430	500	5.7

## AUXR dimensions

■ DXF/DWG/PDF/STP drawings available on our website.



## Accessories (Optional parts)



Mounting plate AUC series  
See page 179 ~ 180



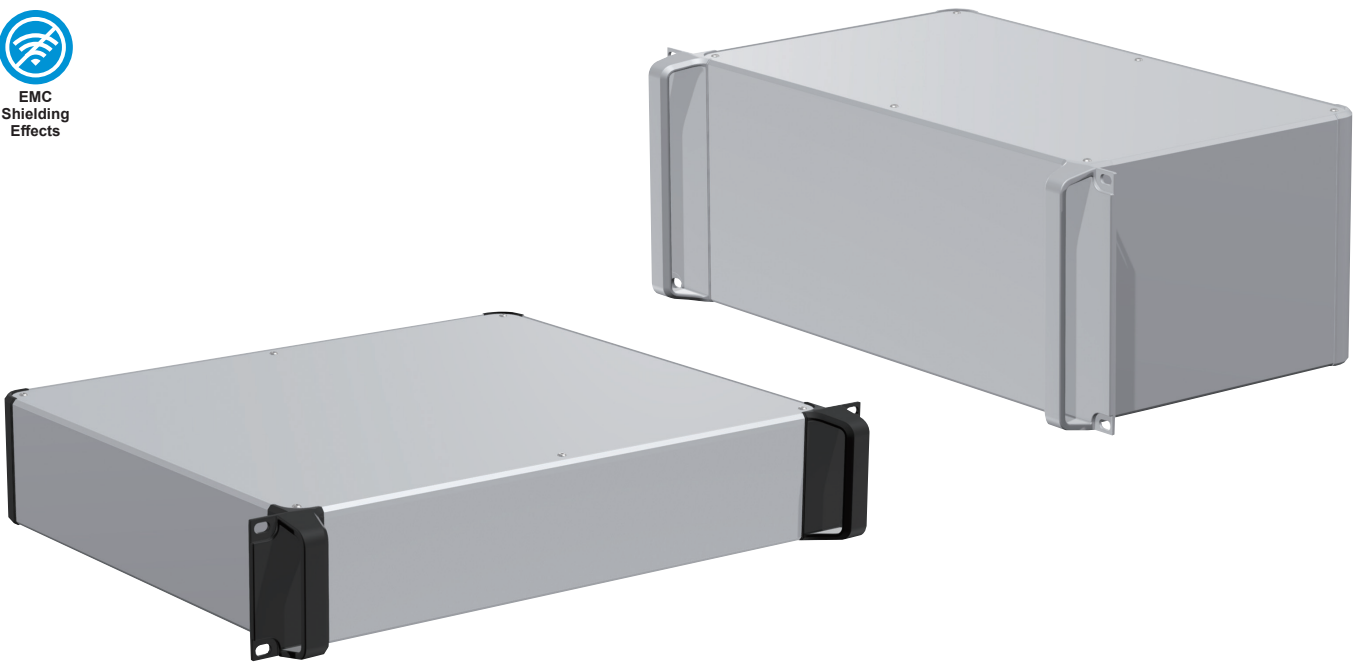
Rack mounting screw RT series  
See page RT • RZ • RW



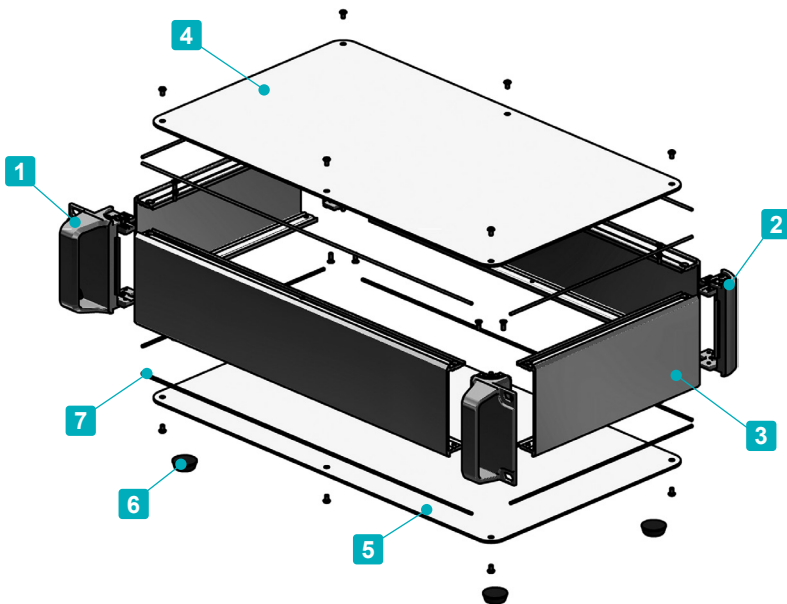
Rack mounting screw RZ series  
See page RT • RZ • RW



EMC  
Shielding  
Effects



- EMC shielded 19" Rack Mount Enclosure with 4 extruded aluminium frames.
- Flat and rugged design rack mounting aluminium case with handles.
- A large selection of 28 different sizes in 2 different colors to choose from.
- Suitable for use as audio/visual equipment, communication equipment, rack mount computers, measuring instruments and others.

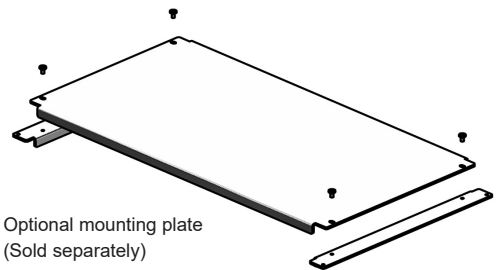


Included screws

- Top / Bottom cover  
M3-5 original trapezoid head & Nickel plated x 8~16 pcs
- Frame  
M3-8 flat head & Nickel plated x 16 pcs

Recommended torque : 0.3 ~ 0.6N • m

\* Recommended torque listed is for reference only; actual may differ. Assemble after testing torque.



**Components**

No.	Part name	Pcs	Material	Color / Finish
1	Handle corner block	2	Diecast aluminium ADC12	Silver • Black / Painted (Unfinished inside)
2	Corner block	2	Diecast aluminium ADC12	Silver • Black / Painted (Unfinished inside)
3	Frame	4	Extruded aluminium A6063S-T5	Silver / Painted (Unfinished inside)
4	Top cover	1	Aluminium A1100P	Silver / Painted (Conductive inside)
5	Bottom cover	1	Aluminium A1100P	Silver / Painted (Conductive inside)
6	Rubber feet	4	Synthetic rubber	Black
7	EMC shielding gasket	8	Conductive fiber UL94V-0	Metallic gray

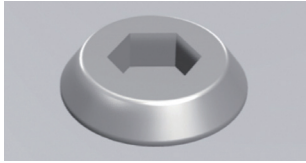
To select Screw and Color, follow steps **1** ~ **2** below to determine product number.

## 1 Screw

**P** Plus (Silver / Nickel plated)



**H** Hex (Silver / Nickel plated)



Hex wrench included.

## 2 Color

Please choose from the color combinations listed below.

**S S**



**S B**



## Product Number

To determine a product number, fill H-W-D dimensions and select Screw and Color code in the following blank boxes.

**AUXRE**



**H-W-D dimensions**

See below for dimensions / product no.



**Screw**

(P or H)



**Color**

(SS • SB)

Numbering example : If looking at "H88 x W430 x D250mm, Screw type H, Color type SB"

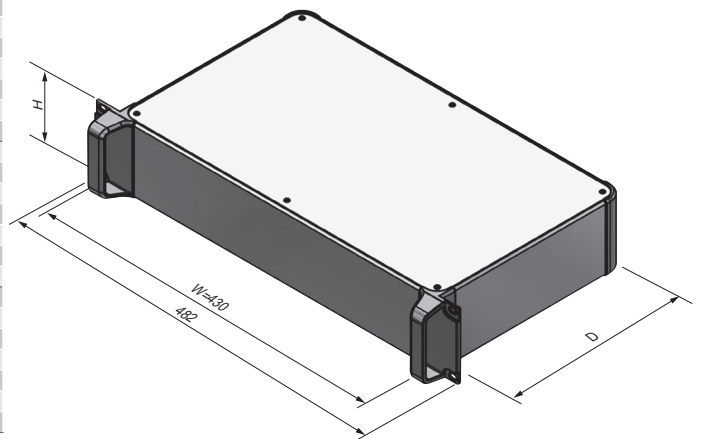
➔ **AUXRE 88-43-25 H-SB**

**Product no. / Details** ■ Please suffix screw and color code at the end of the product number.

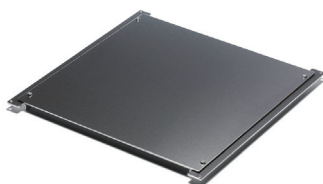
Product no.	H	W	D	Weight (kg)
AUXRE 44-43-16□-□□	44	430	160	2.0
AUXRE 44-43-20□-□□	44	430	200	2.3
AUXRE 44-43-25□-□□	44	430	250	2.6
AUXRE 44-43-30□-□□	44	430	300	2.9
AUXRE 44-43-36□-□□	44	430	360	3.3
AUXRE 44-43-43□-□□	44	430	430	3.7
AUXRE 44-43-50□-□□	44	430	500	4.2
AUXRE 88-43-16□-□□	88	430	160	2.0
AUXRE 88-43-20□-□□	88	430	200	2.3
AUXRE 88-43-25□-□□	88	430	250	2.6
AUXRE 88-43-30□-□□	88	430	300	2.9
AUXRE 88-43-36□-□□	88	430	360	3.3
AUXRE 88-43-43□-□□	88	430	430	3.7
AUXRE 88-43-50□-□□	88	430	500	4.2
AUXRE133-43-16□-□□	132.5	430	160	2.6
AUXRE133-43-20□-□□	132.5	430	200	2.9
AUXRE133-43-25□-□□	132.5	430	250	3.3
AUXRE133-43-30□-□□	132.5	430	300	3.6
AUXRE133-43-36□-□□	132.5	430	360	4.1
AUXRE133-43-43□-□□	132.5	430	430	4.6
AUXRE133-43-50□-□□	132.5	430	500	5.1
AUXRE177-43-16□-□□	177	430	160	3.0
AUXRE177-43-20□-□□	177	430	200	3.4
AUXRE177-43-25□-□□	177	430	250	3.8
AUXRE177-43-30□-□□	177	430	300	4.2
AUXRE177-43-36□-□□	177	430	360	4.6
AUXRE177-43-43□-□□	177	430	430	5.2
AUXRE177-43-50□-□□	177	430	500	5.8

## AUXRE dimensions

■ DXF/DWG/PDF/STP drawings available on our website.



## Accessories (Optional parts)



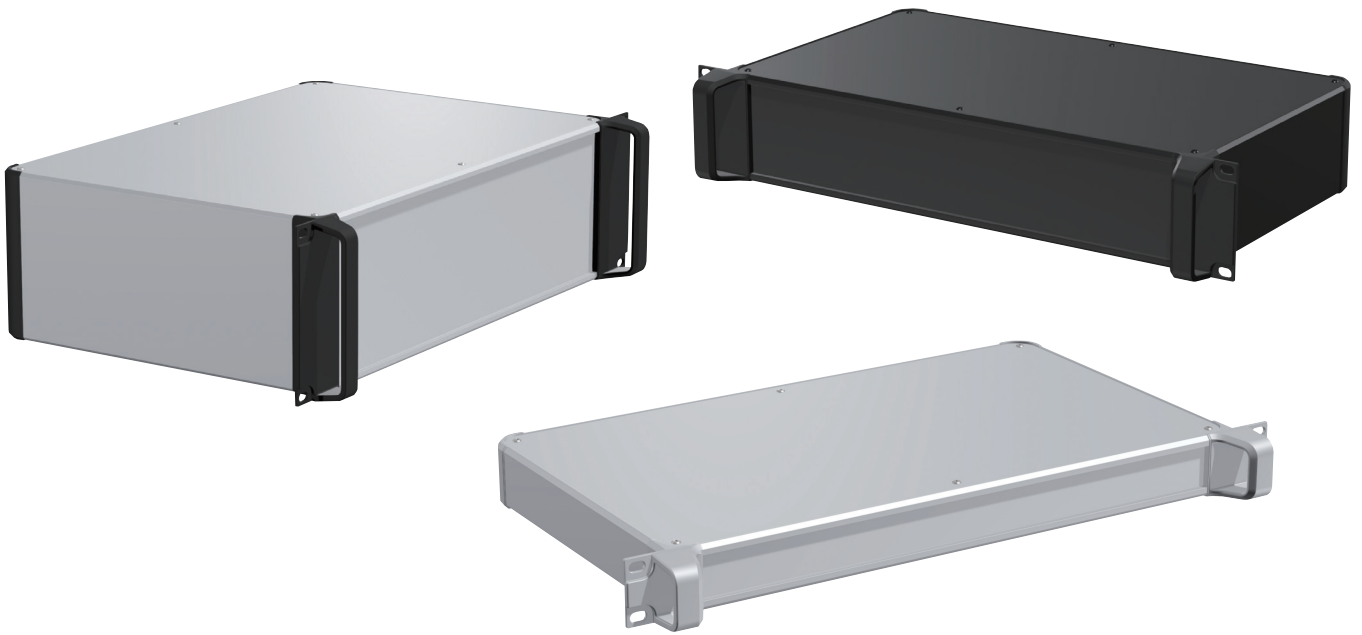
Mounting plate AUC series  
See page 179 ~ 180



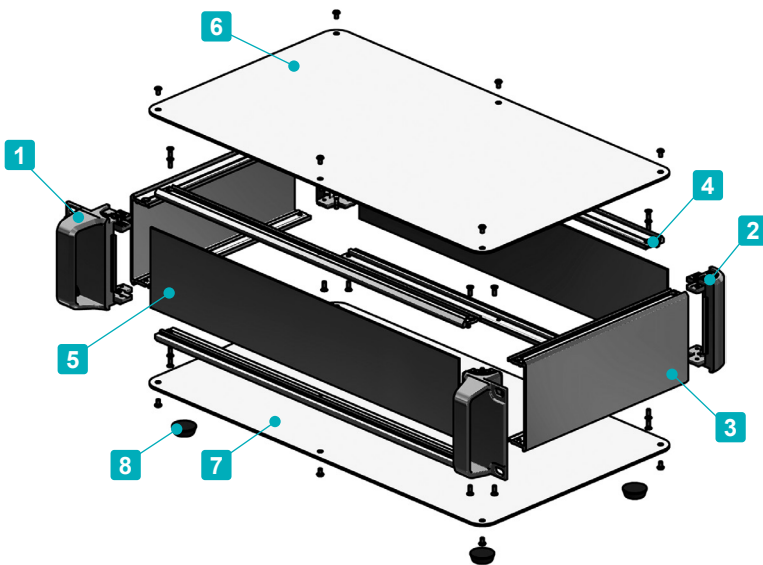
Rack mounting screw RT series  
See page RT • RZ • RW



Rack mounting screw RZ series  
See page RT • RZ • RW



- 19" rack mount enclosure with insertion type front/rear panels, giving it a beautiful appearance.
- A large selection of 28 different sizes in 4 different colors to choose from.
- Suitable for use as audio/visual equipment, communication equipment, rack mount computers, measuring instruments and others.

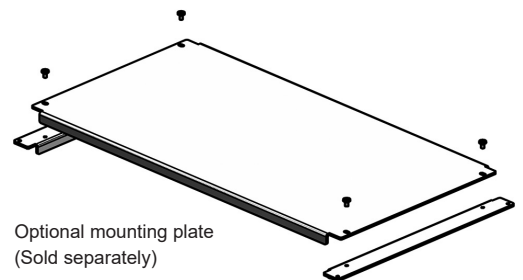


Included screws

- Top / Bottom cover  
M3-5 original trapezoid head & Nickel plated x 8~16 pcs
- Frame  
M3-8 flat head & Nickel plated x 16 pcs

Recommended torque : 0.3 ~ 0.6N • m

\* Recommended torque listed is for reference only; actual may differ. Assemble after testing torque.

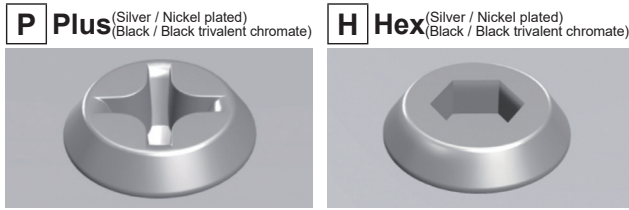


**Components**

No.	Part name	Pcs	Material	Color / Finish
1	Handle Corner Block	2	Diecast aluminium ADC12	Silver • Black / Painted (Unfinished inside)
2	Corner block	2	Diecast aluminium ADC12	Silver • Black / Painted (Unfinished inside)
3	Frame	2	Extruded aluminium A6063S-T5	Silver • Black / Anodized
4	Panel support frame	4	Extruded aluminium A6063S-T5	Silver • Black / Anodized
5	Panel	2	Aluminium A1100P	Silver • Black / Anodized
6	Top cover	1	Aluminium A1100P	Silver • Black / Anodized
7	Bottom cover	1	Aluminium A1100P	Silver • Black / Anodized
8	Rubber feet	4	Synthetic rubber	Black

To select Screw and Color, follow steps **1** ~ **2** below to determine product number.

## 1 Screw

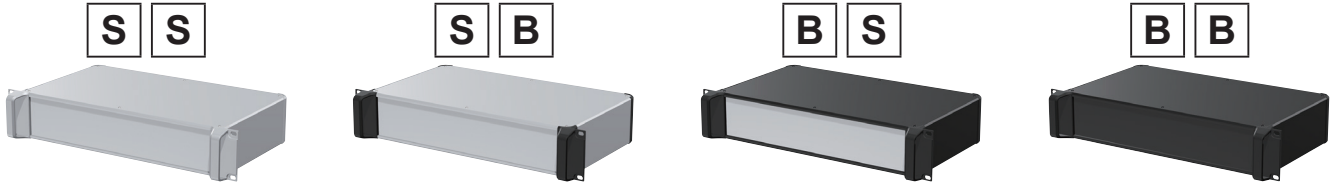


\*Color of screw will be the same as top • bottom cover color.

Hex wrench included.

## 2 Color

Please choose from the color combinations listed below.



## Product Number

To determine a product number, fill H-W-D dimensions and select Screw and Color code in the following blank boxes.

**AUR**  -  -        -

**H-W-D dimensions**      **Screw**      **Color**

See below for dimensions / product no.      (P or H)      (SS • SB • BS • BB)

Numbering example : If looking at "H88 x W430 x D250mm, Screw type H, Color type BS"

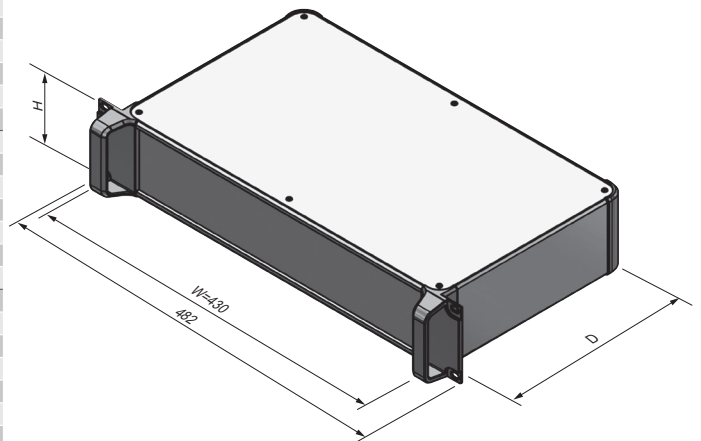
➔ **AUR 88-43-25 H-BS**

Product no. / Details      ■ Please suffix screw and color code at the end of the product number.

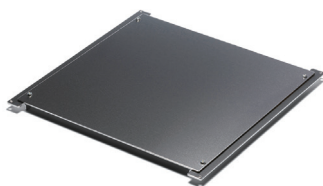
Product no.	H	W	D	Weight (kg)
AUR 44-43-16□-□□	44	430	160	1.5
AUR 44-43-20□-□□	44	430	200	1.8
AUR 44-43-25□-□□	44	430	250	2.0
AUR 44-43-30□-□□	44	430	300	2.3
AUR 44-43-36□-□□	44	430	360	2.7
AUR 44-43-43□-□□	44	430	430	3.1
AUR 44-43-50□-□□	44	430	500	3.5
AUR 88-43-16□-□□	88	430	160	1.9
AUR 88-43-20□-□□	88	430	200	2.1
AUR 88-43-25□-□□	88	430	250	2.5
AUR 88-43-30□-□□	88	430	300	2.8
AUR 88-43-36□-□□	88	430	360	3.2
AUR 88-43-43□-□□	88	430	430	3.6
AUR 88-43-50□-□□	88	430	500	4.1
AUR133-43-16□-□□	132.5	430	160	2.3
AUR133-43-20□-□□	132.5	430	200	2.6
AUR133-43-25□-□□	132.5	430	250	2.9
AUR133-43-30□-□□	132.5	430	300	3.3
AUR133-43-36□-□□	132.5	430	360	3.7
AUR133-43-43□-□□	132.5	430	430	4.2
AUR133-43-50□-□□	132.5	430	500	4.7
AUR177-43-16□-□□	177	430	160	2.6
AUR177-43-20□-□□	177	430	200	2.9
AUR177-43-25□-□□	177	430	250	3.3
AUR177-43-30□-□□	177	430	300	3.7
AUR177-43-36□-□□	177	430	360	4.2
AUR177-43-43□-□□	177	430	430	4.7
AUR177-43-50□-□□	177	430	500	5.3

## AUR dimensions

■ DXF/DWG/PDF/STP drawings available on our website.



## Accessories (Optional parts)



Mounting plate AUC series  
See page 179 ~ 180



Rack mounting screw RT series  
See page RT • RZ • RW



Rack mounting screw RZ series  
See page RT • RZ • RW



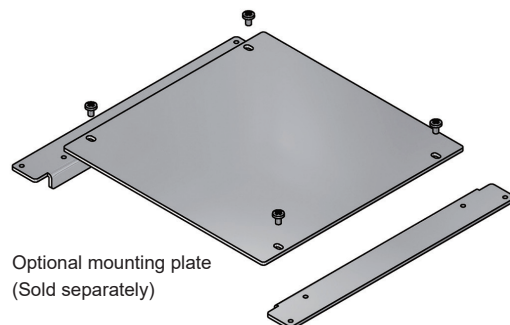
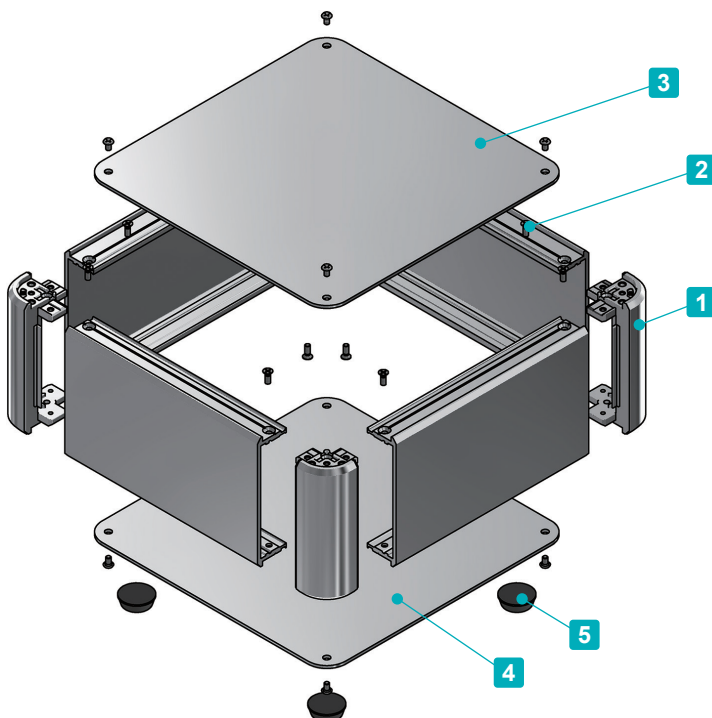
- Round corner designed aluminium control box with 4 extruded aluminium frames.
- A large selection of 135 different sizes and 4 colors to choose from.
- Aluminium control box is suitable for use as industrial controller, machine controller, audio amplifier, power supply, and so on.
- Feet is selectable between adhesive rubber or aluminium type.

Included screws

- Top / Bottom cover  
M3-5 original trapezoid head (plus / hex) & Nickel plated / Black trivalent chromate x 8~16 pcs
- Frame  
M3-8 flat head & Nickel plated x 16 pcs
- Aluminium feet  
M4-8 bind head & Black trivalent chromate x 4 pcs

Recommended torque : 0.3 ~ 0.6N • m

\* Recommended torque listed is for reference only; actual may differ  
Assemble after testing torque.



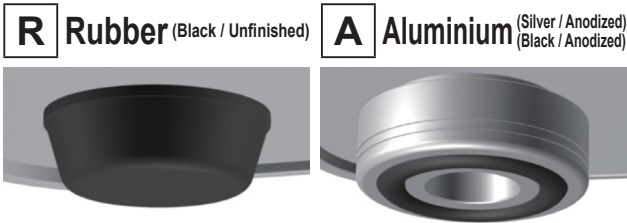
Optional mounting plate  
(Sold separately)

Components

No.	Part name	Pcs	Material	Color / Finish
1	Corner block	4	Diecast aluminium ADC12	Silver • Black / Painted (Unfinished inside)
2	Frame	4	Extruded aluminium A6063S-T5	Silver • Black / Anodized
3	Top cover	1	Aluminium A1100P	Silver • Black / Anodized
4	Bottom cover	1	Aluminium A1100P	Silver • Black / Anodized
5	Adhesive Rubber feet : Aluminium feet	4	Synthetic rubber : Aluminium	Black : Silver • Black / Anodized

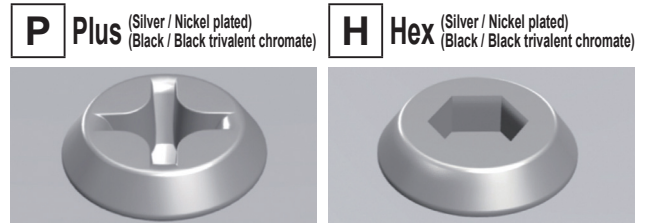
To select Feet, Screw, and Color, follow steps 1 ~ 3 to determine product number.

1 Feet



\*Color of "Aluminium Feet" will be the same as bottom cover color.

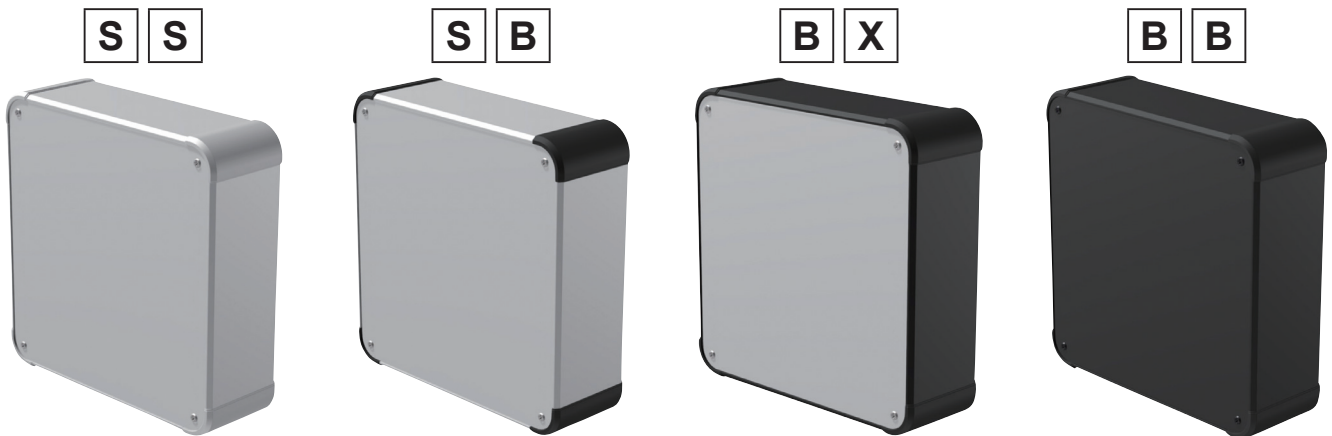
2 Screw



Hex wrench included.

3 Color

Please choose from the color combinations listed below.



Product Number

To determine a product number, fill H-W-D dimensions and select Feet, Screw, and Color code in the following blank boxes.

**AUX**  -  -         -

H-W-D dimensions      **1** Feet **2** Screw      **3** Color

See page 165~166 for dimensions and product no.      R or A    P or H      SS • SB • BX • BB

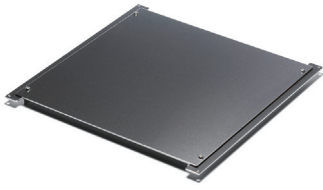
Numbering example :

If looking at "H66 x W250 x D250mm, Feet type R, Screw type H, Color type BX"

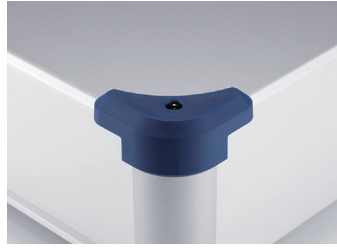
➔ **AUX 66-25-25 RH-BX**



**Accessories (Optional parts)**



Mounting plate AUC series  
See page 179 ~ 180



Corner guard AUCG series  
See page 180



Elastomer carrying handle FM200  
See page FM200 • MH

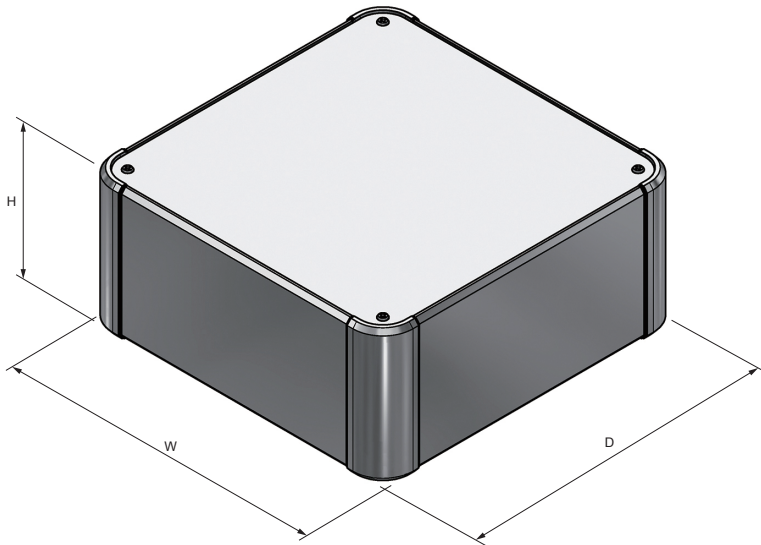


Aluminium handle OH series  
See page OH • KH-1



Wall mount support arm MAR series  
See page 181 ~ 182

**AUX dimensions**



■ DXF/DWG/PDF/STP drawings available on our website.

■ Feet is selectable between rubber or aluminium type.  
※Rubber and aluminium feet height are different.

**Rubber Feet**



**Aluminium Feet**



**Product no. / Details**

■ Please suffix color code at the end of the product number.

Product no.	H	W	D	Weight (kg)
NEW AUX 44-16-16□□-□□	44	160	160	0.7
NEW AUX 44-20-16□□-□□	44	200	160	0.8
NEW AUX 44-20-20□□-□□	44	200	200	0.9
NEW AUX 44-25-16□□-□□	44	250	160	1.0
NEW AUX 44-25-20□□-□□	44	250	200	1.1
NEW AUX 44-25-25□□-□□	44	250	250	1.3
NEW AUX 44-30-16□□-□□	44	300	160	1.1
NEW AUX 44-30-20□□-□□	44	300	200	1.3
NEW AUX 44-30-25□□-□□	44	300	250	1.5
NEW AUX 44-30-30□□-□□	44	300	300	1.7
NEW AUX 44-36-16□□-□□	44	360	160	1.3
NEW AUX 44-36-20□□-□□	44	360	200	1.5
NEW AUX 44-36-25□□-□□	44	360	250	1.7
NEW AUX 44-36-30□□-□□	44	360	300	2.0

Product no.	H	W	D	Weight (kg)
NEW AUX 44-36-36□□-□□	44	360	360	2.2
NEW AUX 44-43-16□□-□□	44	430	160	1.5
NEW AUX 44-43-20□□-□□	44	430	200	1.7
NEW AUX 44-43-25□□-□□	44	430	250	2.0
NEW AUX 44-43-30□□-□□	44	430	300	2.3
NEW AUX 44-43-36□□-□□	44	430	360	2.6
NEW AUX 44-43-43□□-□□	44	430	430	3.0
NEW AUX 44-50-30□□-□□	44	500	300	2.6
NEW AUX 44-50-36□□-□□	44	500	360	3.0
NEW AUX 44-50-43□□-□□	44	500	430	3.4
NEW AUX 44-50-50□□-□□	44	500	500	3.9
NEW AUX 44-60-36□□-□□	44	600	360	3.5
NEW AUX 44-60-43□□-□□	44	600	430	4.0

Product no. / Details

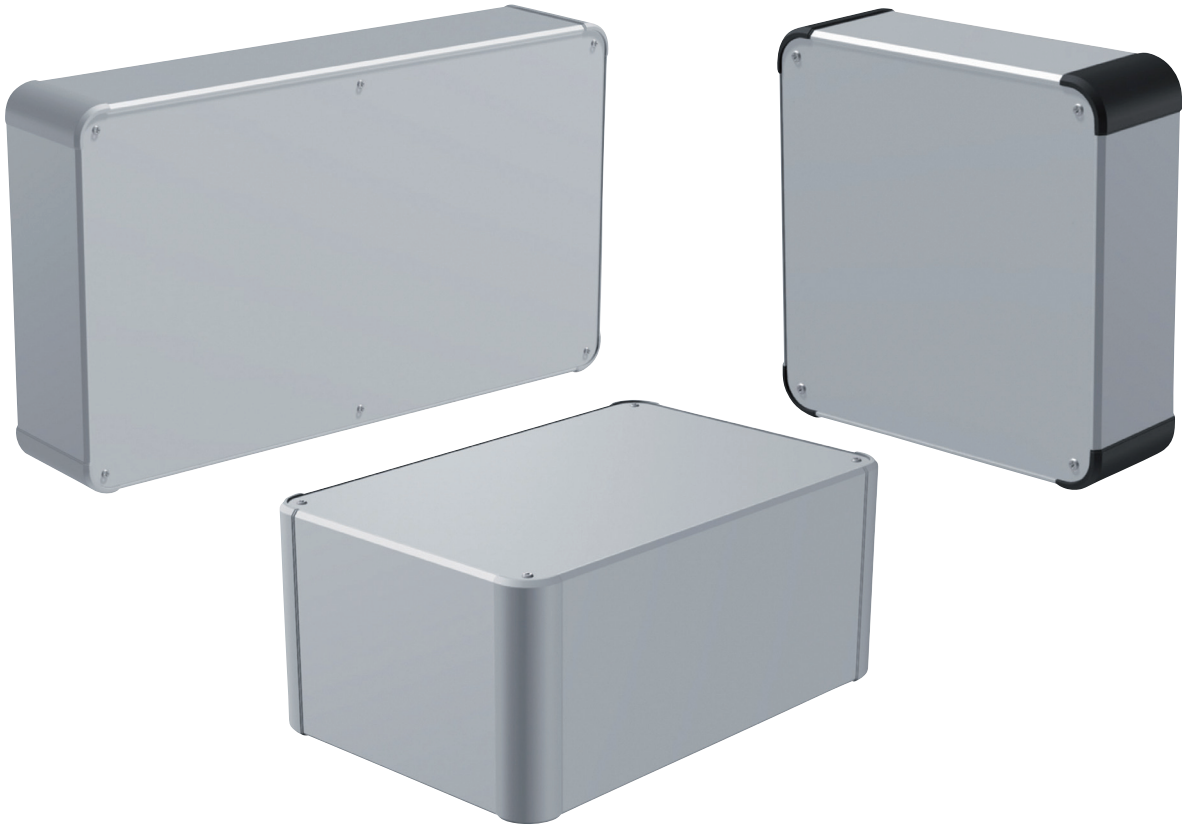
■ Please suffix color code at the end of the product number.

Product no.	H	W	D	Weight (kg)
AUX 66-16-16□□-□□	66	160	160	0.9
AUX 66-20-16□□-□□	66	200	160	1.0
AUX 66-20-20□□-□□	66	200	200	1.1
AUX 66-25-16□□-□□	66	250	160	1.2
AUX 66-25-20□□-□□	66	250	200	1.3
AUX 66-25-25□□-□□	66	250	250	1.5
AUX 66-30-16□□-□□	66	300	160	1.3
AUX 66-30-20□□-□□	66	300	200	1.5
AUX 66-30-25□□-□□	66	300	250	1.7
AUX 66-30-30□□-□□	66	300	300	2.0
<b>NEW</b> AUX 66-36-16□□-□□	66	360	160	1.4
AUX 66-36-20□□-□□	66	360	200	1.7
AUX 66-36-25□□-□□	66	360	250	2.0
AUX 66-36-30□□-□□	66	360	300	2.2
AUX 66-36-36□□-□□	66	360	360	2.6
<b>NEW</b> AUX 66-43-16□□-□□	66	430	160	1.7
AUX 66-43-20□□-□□	66	430	200	2.0
AUX 66-43-25□□-□□	66	430	250	2.3
AUX 66-43-30□□-□□	66	430	300	2.6
AUX 66-43-36□□-□□	66	430	360	3.0
AUX 66-43-43□□-□□	66	430	430	3.4
AUX 66-50-30□□-□□	66	500	300	2.9
AUX 66-50-36□□-□□	66	500	360	3.3
AUX 66-50-43□□-□□	66	500	430	3.8
AUX 66-50-50□□-□□	66	500	500	4.3
AUX 66-60-36□□-□□	66	600	360	3.8
AUX 66-60-43□□-□□	66	600	430	4.4
AUX 88-16-16□□-□□	88	160	160	1.0
AUX 88-20-16□□-□□	88	200	160	1.1
AUX 88-20-20□□-□□	88	200	200	1.3
AUX 88-25-16□□-□□	88	250	160	1.3
AUX 88-25-20□□-□□	88	250	200	1.5
AUX 88-25-25□□-□□	88	250	250	1.7
AUX 88-30-16□□-□□	88	300	160	1.5
AUX 88-30-20□□-□□	88	300	200	1.7
AUX 88-30-25□□-□□	88	300	250	1.9
AUX 88-30-30□□-□□	88	300	300	2.2
<b>NEW</b> AUX 88-36-16□□-□□	88	360	160	1.6
AUX 88-36-20□□-□□	88	360	200	1.9
AUX 88-36-25□□-□□	88	360	250	2.2
AUX 88-36-30□□-□□	88	360	300	2.4
AUX 88-36-36□□-□□	88	360	360	2.8
<b>NEW</b> AUX 88-43-16□□-□□	88	430	160	1.9
AUX 88-43-20□□-□□	88	430	200	2.2
AUX 88-43-25□□-□□	88	430	250	2.5
AUX 88-43-30□□-□□	88	430	300	2.8
AUX 88-43-36□□-□□	88	430	360	3.2
AUX 88-43-43□□-□□	88	430	430	3.6
AUX 88-50-30□□-□□	88	500	300	3.2
AUX 88-50-36□□-□□	88	500	360	3.6
AUX 88-50-43□□-□□	88	500	430	4.1
AUX 88-50-50□□-□□	88	500	500	4.6
AUX 88-60-36□□-□□	88	600	360	4.1
AUX 88-60-43□□-□□	88	600	430	4.7

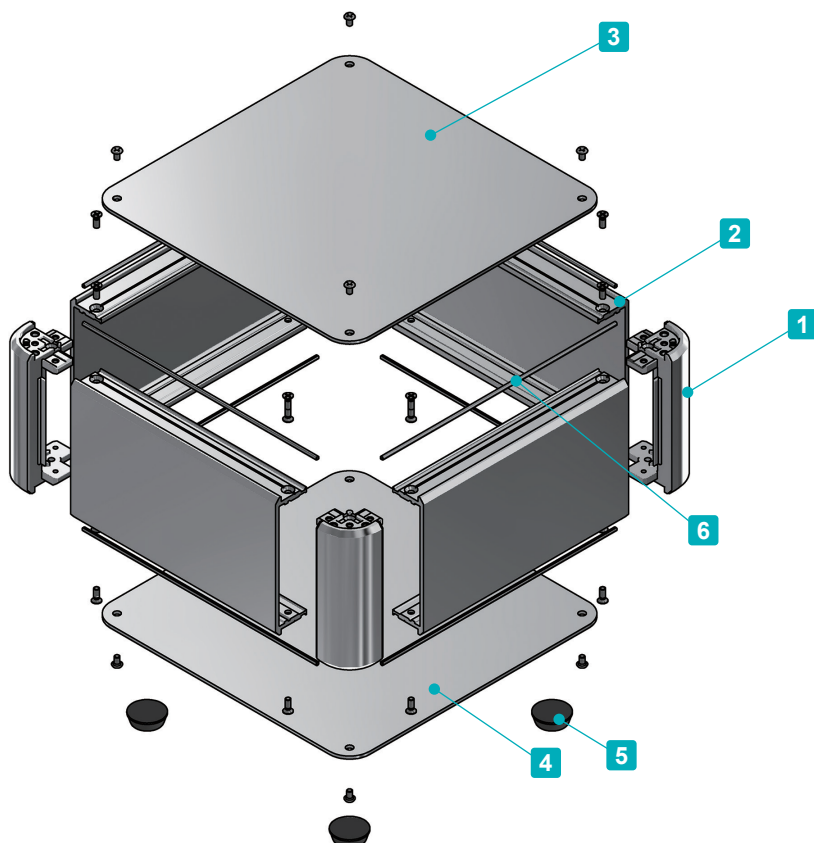
Product no.	H	W	D	Weight (kg)
AUX133-16-16□□-□□	132.5	160	160	1.3
AUX133-20-16□□-□□	132.5	200	160	1.5
AUX133-20-20□□-□□	132.5	200	200	1.7
AUX133-25-16□□-□□	132.5	250	160	1.7
AUX133-25-20□□-□□	132.5	250	200	1.9
AUX133-25-25□□-□□	132.5	250	250	2.2
AUX133-30-16□□-□□	132.5	300	160	1.9
AUX133-30-20□□-□□	132.5	300	200	2.1
AUX133-30-25□□-□□	132.5	300	250	2.4
AUX133-30-30□□-□□	132.5	300	300	2.7
<b>NEW</b> AUX133-36-16□□-□□	132.5	360	160	2.2
AUX133-36-20□□-□□	132.5	360	200	2.4
AUX133-36-25□□-□□	132.5	360	250	2.7
AUX133-36-30□□-□□	132.5	360	300	3.1
AUX133-36-36□□-□□	132.5	360	360	3.4
<b>NEW</b> AUX133-43-16□□-□□	132.5	430	160	2.5
AUX133-43-20□□-□□	132.5	430	200	2.8
AUX133-43-25□□-□□	132.5	430	250	3.1
AUX133-43-30□□-□□	132.5	430	300	3.5
AUX133-43-36□□-□□	132.5	430	360	3.9
AUX133-43-43□□-□□	132.5	430	430	4.4
AUX133-50-30□□-□□	132.5	500	300	3.9
AUX133-50-36□□-□□	132.5	500	360	4.4
AUX133-50-43□□-□□	132.5	500	430	4.9
AUX133-50-50□□-□□	132.5	500	500	5.5
AUX133-60-36□□-□□	132.5	600	360	5.0
AUX133-60-43□□-□□	132.5	600	430	5.7
<b>NEW</b> AUX177-16-16□□-□□	177	160	160	1.5
<b>NEW</b> AUX177-20-16□□-□□	177	200	160	1.7
<b>NEW</b> AUX177-20-20□□-□□	177	200	200	1.9
<b>NEW</b> AUX177-25-16□□-□□	177	250	160	1.9
<b>NEW</b> AUX177-25-20□□-□□	177	250	200	2.2
<b>NEW</b> AUX177-25-25□□-□□	177	250	250	2.5
<b>NEW</b> AUX177-30-16□□-□□	177	300	160	2.2
<b>NEW</b> AUX177-30-20□□-□□	177	300	200	2.4
<b>NEW</b> AUX177-30-25□□-□□	177	300	250	2.8
<b>NEW</b> AUX177-30-30□□-□□	177	300	300	3.1
<b>NEW</b> AUX177-36-16□□-□□	177	360	160	2.5
<b>NEW</b> AUX177-36-20□□-□□	177	360	200	2.8
<b>NEW</b> AUX177-36-25□□-□□	177	360	250	3.1
<b>NEW</b> AUX177-36-30□□-□□	177	360	300	3.5
<b>NEW</b> AUX177-36-36□□-□□	177	360	360	3.9
<b>NEW</b> AUX177-43-16□□-□□	177	430	160	2.9
<b>NEW</b> AUX177-43-20□□-□□	177	430	200	3.2
<b>NEW</b> AUX177-43-25□□-□□	177	430	250	3.6
<b>NEW</b> AUX177-43-30□□-□□	177	430	300	4.0
<b>NEW</b> AUX177-43-36□□-□□	177	430	360	4.5
<b>NEW</b> AUX177-43-43□□-□□	177	430	430	5.0
<b>NEW</b> AUX177-50-30□□-□□	177	500	300	4.4
<b>NEW</b> AUX177-50-36□□-□□	177	500	360	5.0
<b>NEW</b> AUX177-50-43□□-□□	177	500	430	5.6
<b>NEW</b> AUX177-50-50□□-□□	177	500	500	6.2
<b>NEW</b> AUX177-60-36□□-□□	177	600	360	5.7
<b>NEW</b> AUX177-60-43□□-□□	177	600	430	6.4



EMC  
Shielding  
Effects



- Round corner designed aluminium enclosure with 4 extruded aluminium frames.
- Shielding gasket allows the enclosure to be EMC shielded.
- A large selection of 135 different sizes and 2 colors to choose from.
- Feet is selectable between adhesive rubber or aluminium type.



Included screws

- Top / Bottom cover  
M3-5 original trapezoid head (plus / hex) & Nickel plated x 8~16 pcs
- Frame  
M3-8 flat head & Nickel plated x 16 pcs
- Aluminium feet  
M4-8 bind head & Black trivalent chromate x 4 pcs

Recommended torque : 0.3 ~ 0.6N • m

\* Recommended torque listed is for reference only; actual may differ.  
Assemble after testing torque.

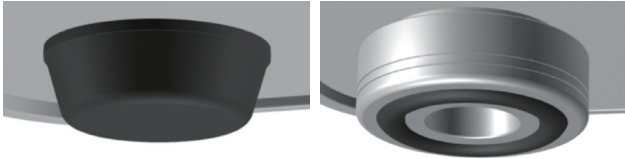
Components

No.	Part name	Pcs	Material	Color / Finish
1	Corner block	4	Diecast aluminium ADC12	Silver • Black / Painted (Unfinished inside)
2	Frame	4	Extruded aluminium A6063S-T5	Silver / Painted (Unfinished inside)
3	Top cover	1	Aluminium A1100P	Silver / Painted (Conductive inside)
4	Bottom cover	1	Aluminium A1100P	Silver / Painted (Conductive inside)
5	Adhesive Rubber feet : Aluminium feet	4	Synthetic rubber : Aluminium	Black : Silver / Anodized
6	EMC shielding gasket	8	Conductive fiber UL94V-0	Metallic gray

To select Feet, Screw, and Color, follow steps **1** ~ **3** to determine product number.

**1 Feet**

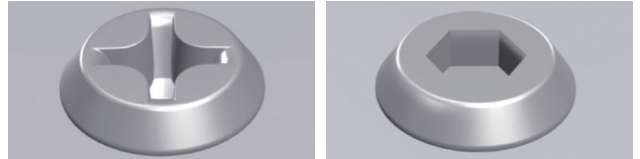
**R** Rubber (Black / Unfinished)    **A** Aluminium (Silver / Anodized)



\*Color of "Aluminium Feet" will be the same as bottom cover color.

**2 Screw**

**P** Plus (Silver / Nickel plated)    **H** Hex (Silver / Nickel plated)



Hex wrench included.

**3 Color**

Please choose from the color combinations listed below.

**S S**



**S B**



Product Number

To determine a product number, fill H-W-D dimensions and select Feet, Screw, and Color code in the following blank boxes.

**AUXE**

-  -

H-W-D dimensions

**1** Feet **2** Screw

**3** Color

See page 169~170 for dimensions and product no.

R or A    P or H

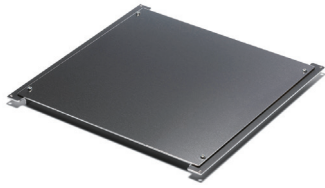
SS or SB

Numbering example :

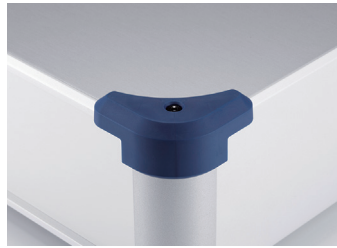
If looking at "H132.5 x W300 x D300mm, Feet type R, Screw type P, Color type SB"

➔ **AUXE 133-30-30 RP-SB**

**Accessories (Optional parts)**



Mounting plate AUC series  
See page 179 ~ 180



Corner guard AUCG series  
See page 180



Elastomer carrying handle FM200  
See page FM200 • MH

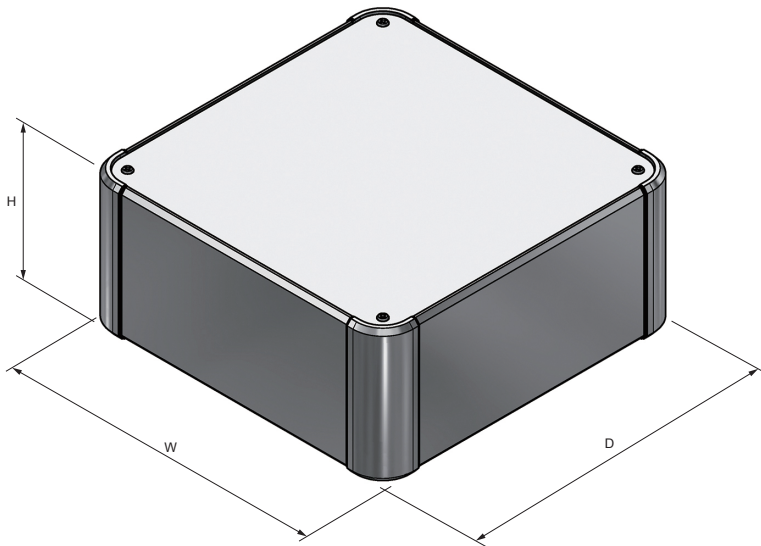


Aluminium handle OH series  
See page OH • KH-1



Wall mount support arm MAR series  
See page 181 ~ 182

**AUXE dimensions**



■ DXF/DWG/PDF/STP drawings available on our website.

■ Feet is selectable between rubber or aluminium type.  
※Rubber and aluminium feet height are different.

**Rubber Feet**



**Aluminium Feet**



**Product no. / Details**

■ Please suffix color code at the end of the product number.

Product no.	H	W	D	Weight (kg)
NEW AUXE 44-16-16□□-□□	44	160	160	0.7
NEW AUXE 44-20-16□□-□□	44	200	160	0.8
NEW AUXE 44-20-20□□-□□	44	200	200	0.9
NEW AUXE 44-25-16□□-□□	44	250	160	1.0
NEW AUXE 44-25-20□□-□□	44	250	200	1.1
NEW AUXE 44-25-25□□-□□	44	250	250	1.3
NEW AUXE 44-30-16□□-□□	44	300	160	1.1
NEW AUXE 44-30-20□□-□□	44	300	200	1.3
NEW AUXE 44-30-25□□-□□	44	300	250	1.5
NEW AUXE 44-30-30□□-□□	44	300	300	1.7
NEW AUXE 44-36-16□□-□□	44	360	160	1.2
NEW AUXE 44-36-20□□-□□	44	360	200	1.5
NEW AUXE 44-36-25□□-□□	44	360	250	1.7
NEW AUXE 44-36-30□□-□□	44	360	300	2.0

Product no.	H	W	D	Weight (kg)
NEW AUXE 44-36-36□□-□□	44	360	360	2.3
NEW AUXE 44-43-16□□-□□	44	430	160	1.5
NEW AUXE 44-43-20□□-□□	44	430	200	1.7
NEW AUXE 44-43-25□□-□□	44	430	250	2.0
NEW AUXE 44-43-30□□-□□	44	430	300	2.3
NEW AUXE 44-43-36□□-□□	44	430	360	2.6
NEW AUXE 44-43-43□□-□□	44	430	430	3.0
NEW AUXE 44-50-30□□-□□	44	500	300	2.6
NEW AUXE 44-50-36□□-□□	44	500	360	3.0
NEW AUXE 44-50-43□□-□□	44	500	430	3.4
NEW AUXE 44-50-50□□-□□	44	500	500	3.9
NEW AUXE 44-60-36□□-□□	44	600	360	3.5
NEW AUXE 44-60-43□□-□□	44	600	430	4.0

Product no. / Details

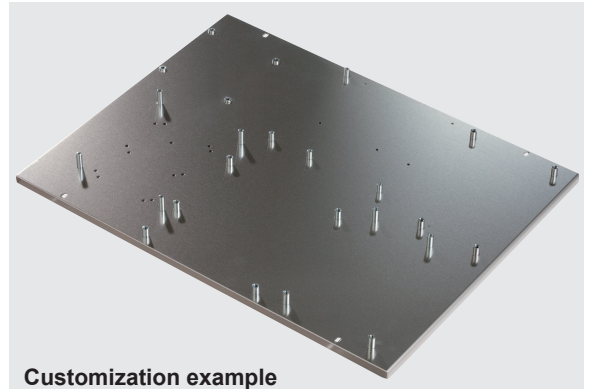
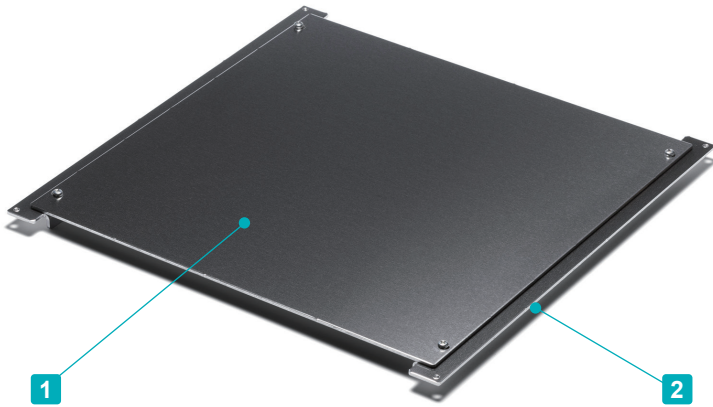
■ Please suffix color code at the end of the product number.

Product no.	H	W	D	Weight (kg)
AUXE 66-16-16□□-□□	66	160	160	0.9
AUXE 66-20-16□□-□□	66	200	160	1.0
AUXE 66-20-20□□-□□	66	200	200	1.1
AUXE 66-25-16□□-□□	66	250	160	1.2
AUXE 66-25-20□□-□□	66	250	200	1.3
AUXE 66-25-25□□-□□	66	250	250	1.5
AUXE 66-30-16□□-□□	66	300	160	1.3
AUXE 66-30-20□□-□□	66	300	200	1.5
AUXE 66-30-25□□-□□	66	300	250	1.7
AUXE 66-30-30□□-□□	66	300	300	2.0
<b>NEW</b> AUXE 66-36-16□□-□□	66	360	160	1.4
AUXE 66-36-20□□-□□	66	360	200	1.7
AUXE 66-36-25□□-□□	66	360	250	2.0
AUXE 66-36-30□□-□□	66	360	300	2.2
AUXE 66-36-36□□-□□	66	360	360	2.6
<b>NEW</b> AUXE 66-43-16□□-□□	66	430	160	1.8
AUXE 66-43-20□□-□□	66	430	200	2.0
AUXE 66-43-25□□-□□	66	430	250	2.3
AUXE 66-43-30□□-□□	66	430	300	2.6
AUXE 66-43-36□□-□□	66	430	360	3.0
AUXE 66-43-43□□-□□	66	430	430	3.4
AUXE 66-50-30□□-□□	66	500	300	2.9
AUXE 66-50-36□□-□□	66	500	360	3.3
AUXE 66-50-43□□-□□	66	500	430	3.8
AUXE 66-50-50□□-□□	66	500	500	4.3
AUXE 66-60-36□□-□□	66	600	360	3.8
AUXE 66-60-43□□-□□	66	600	430	4.4
AUXE 88-16-16□□-□□	88	160	160	1.0
AUXE 88-20-16□□-□□	88	200	160	1.1
AUXE 88-20-20□□-□□	88	200	200	1.3
AUXE 88-25-16□□-□□	88	250	160	1.3
AUXE 88-25-20□□-□□	88	250	200	1.5
AUXE 88-25-25□□-□□	88	250	250	1.7
AUXE 88-30-16□□-□□	88	300	160	1.5
AUXE 88-30-20□□-□□	88	300	200	1.7
AUXE 88-30-25□□-□□	88	300	250	1.9
AUXE 88-30-30□□-□□	88	300	300	2.2
<b>NEW</b> AUXE 88-36-16□□-□□	88	360	160	1.6
AUXE 88-36-20□□-□□	88	360	200	1.9
AUXE 88-36-25□□-□□	88	360	250	2.2
AUXE 88-36-30□□-□□	88	360	300	2.4
AUXE 88-36-36□□-□□	88	360	360	2.8
<b>NEW</b> AUXE 88-43-16□□-□□	88	430	160	1.9
AUXE 88-43-20□□-□□	88	430	200	2.2
AUXE 88-43-25□□-□□	88	430	250	2.5
AUXE 88-43-30□□-□□	88	430	300	2.8
AUXE 88-43-36□□-□□	88	430	360	3.2
AUXE 88-43-43□□-□□	88	430	430	3.6
AUXE 88-50-30□□-□□	88	500	300	3.2
AUXE 88-50-36□□-□□	88	500	360	3.6
AUXE 88-50-43□□-□□	88	500	430	4.1
AUXE 88-50-50□□-□□	88	500	500	4.6
AUXE 88-60-36□□-□□	88	600	360	4.1
AUXE 88-60-43□□-□□	88	600	430	4.7

Product no.	H	W	D	Weight (kg)
AUXE133-16-16□□-□□	132.5	160	160	1.3
AUXE133-20-16□□-□□	132.5	200	160	1.5
AUXE133-20-20□□-□□	132.5	200	200	1.7
AUXE133-25-16□□-□□	132.5	250	160	1.7
AUXE133-25-20□□-□□	132.5	250	200	1.9
AUXE133-25-25□□-□□	132.5	250	250	2.2
AUXE133-30-16□□-□□	132.5	300	160	1.9
AUXE133-30-20□□-□□	132.5	300	200	2.1
AUXE133-30-25□□-□□	132.5	300	250	2.4
AUXE133-30-30□□-□□	132.5	300	300	2.7
<b>NEW</b> AUXE133-36-16□□-□□	132.5	360	160	2.2
AUXE133-36-20□□-□□	132.5	360	200	2.4
AUXE133-36-25□□-□□	132.5	360	250	2.7
AUXE133-36-30□□-□□	132.5	360	300	3.1
AUXE133-36-36□□-□□	132.5	360	360	3.4
<b>NEW</b> AUXE133-43-16□□-□□	132.5	430	160	2.5
AUXE133-43-20□□-□□	132.5	430	200	2.8
AUXE133-43-25□□-□□	132.5	430	250	3.1
AUXE133-43-30□□-□□	132.5	430	300	3.5
AUXE133-43-36□□-□□	132.5	430	360	3.9
AUXE133-43-43□□-□□	132.5	430	430	4.4
AUXE133-50-30□□-□□	132.5	500	300	3.9
AUXE133-50-36□□-□□	132.5	500	360	4.4
AUXE133-50-43□□-□□	132.5	500	430	4.9
AUXE133-50-50□□-□□	132.5	500	500	5.5
AUXE133-60-36□□-□□	132.5	600	360	5.0
AUXE133-60-43□□-□□	132.5	600	430	5.7
<b>NEW</b> AUXE177-16-16□□-□□	177	160	160	1.5
<b>NEW</b> AUXE177-20-16□□-□□	177	200	160	1.7
<b>NEW</b> AUXE177-20-20□□-□□	177	200	200	1.9
<b>NEW</b> AUXE177-25-16□□-□□	177	250	160	1.9
<b>NEW</b> AUXE177-25-20□□-□□	177	250	200	2.2
<b>NEW</b> AUXE177-25-25□□-□□	177	250	250	2.5
<b>NEW</b> AUXE177-30-16□□-□□	177	300	160	2.2
<b>NEW</b> AUXE177-30-20□□-□□	177	300	200	2.4
<b>NEW</b> AUXE177-30-25□□-□□	177	300	250	2.8
<b>NEW</b> AUXE177-30-30□□-□□	177	300	300	3.1
<b>NEW</b> AUXE177-36-16□□-□□	177	360	160	2.5
<b>NEW</b> AUXE177-36-20□□-□□	177	360	200	2.8
<b>NEW</b> AUXE177-36-25□□-□□	177	360	250	3.1
<b>NEW</b> AUXE177-36-30□□-□□	177	360	300	3.5
<b>NEW</b> AUXE177-36-36□□-□□	177	360	360	3.9
<b>NEW</b> AUXE177-43-16□□-□□	177	430	160	2.9
<b>NEW</b> AUXE177-43-20□□-□□	177	430	200	3.2
<b>NEW</b> AUXE177-43-25□□-□□	177	430	250	3.6
<b>NEW</b> AUXE177-43-30□□-□□	177	430	300	4.0
<b>NEW</b> AUXE177-43-36□□-□□	177	430	360	4.5
<b>NEW</b> AUXE177-43-43□□-□□	177	430	430	5.0
<b>NEW</b> AUXE177-50-30□□-□□	177	500	300	4.4
<b>NEW</b> AUXE177-50-36□□-□□	177	500	360	5.0
<b>NEW</b> AUXE177-50-43□□-□□	177	500	430	5.6
<b>NEW</b> AUXE177-50-50□□-□□	177	500	500	6.2
<b>NEW</b> AUXE177-60-36□□-□□	177	600	360	5.7
<b>NEW</b> AUXE177-60-43□□-□□	177	600	430	6.4

AUC series

MOUNTING PLATE for AU□ series



Customization example

■ See page CUSTOM-9 ~ CUSTOM-11 and our website for further details.

■ Mounting plate for AUH, AUR, AUPR, AUPRE, AUXR, AUXRE, AUGH, AUG, AUG, AU, AUP, AUPE, AUX, and AUXE series.

Components

No.	Part name	Pcs	Material	Finish
1	Mounting plate	1	Aluminium A1050P t=2.0	Unfinished
2	L-bracket	2	Aluminium A1050P t=2.0	Unfinished

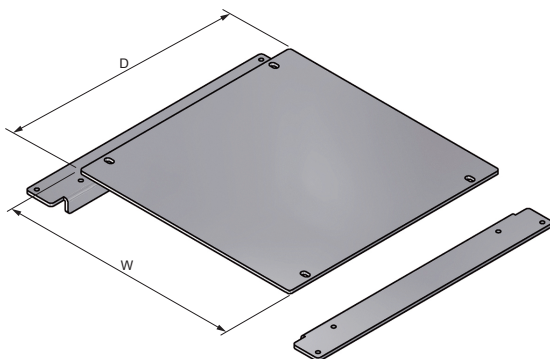
Included screw :

- Corner block M3 flat head : Nickel plated x 4
- Mounting plate M3-5 pan head : Trivalent chromate x 4

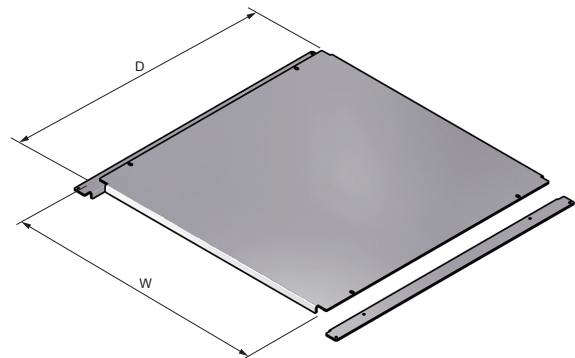
■ DXF/DWG/PDF drawings available on our website.

AUC dimensions

Non-reinforced (N) type



Reinforced (Y) type



Product no. / Details

Product no.	W	D	Enclosure W x D	Reinforcement	Weight (g)	Product no.	W	D	Enclosure W x D	Reinforcement	Weight (g)
AUC16-16	108	108	160×160	N	102	AUC30-43	248	378	300×430	N	626
AUC16-20	108	148	160×200	N	138	AUC30-50	248	448	300×500	N	741
AUC16-25	108	198	160×250	N	181	NEW AUC36-16	308	108	360×160	N	219
AUC16-30	108	248	160×300	N	226	AUC36-20	308	148	360×200	N	297
NEW AUC16-36	108	308	160×360	N	279	AUC36-25	308	198	360×250	N	395
NEW AUC16-43	108	378	160×430	N	340	AUC36-30	308	248	360×300	N	494
AUC20-16	148	108	200×160	N	126	AUC36-36	308	308	360×360	N	581
AUC20-20	148	148	200×200	N	170	AUC36-43	308	378	360×430	N	749
AUC20-25	148	198	200×250	N	224	AUC36-50	308	448	360×500	N	886
AUC20-30	148	248	200×300	N	279	NEW AUC43-16	378	108	430×160	Y	287
AUC20-36	148	308	200×360	N	345	AUC43-20	378	148	430×200	Y	353
AUC20-43	148	378	200×430	N	422	AUC43-25	378	198	430×250	Y	470
AUC25-16	198	108	250×160	N	155	AUC43-30	378	248	430×300	Y	587
AUC25-20	198	148	250×200	N	210	AUC43-36	378	308	430×360	Y	728
AUC25-25	198	198	250×250	N	278	AUC43-43	378	378	430×430	Y	918
AUC25-30	198	248	250×300	N	346	AUC43-50	378	448	430×500	Y	1,082
AUC25-36	198	308	250×360	N	428	AUC50-30	448	248	500×300	Y	681
AUC25-43	198	378	250×430	N	524	AUC50-36	448	308	500×360	Y	814
AUC30-16	248	108	300×160	N	184	AUC50-43	448	378	500×430	Y	1,061
AUC30-20	248	148	300×200	N	249	AUC50-50	448	448	500×500	Y	1,257
AUC30-25	248	198	300×250	N	331	AUC60-36	548	308	600×360	Y	1,021
AUC30-30	248	248	300×300	N	413	AUC60-43	548	378	600×430	Y	1,279
AUC30-36	248	308	300×360	N	512						

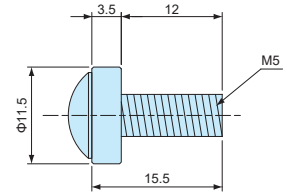
**RT·RZ** series

**RACK MOUNTING SCREW**

**RT**



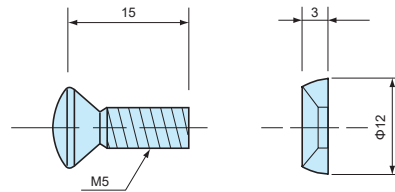
■ Easy installation by built-in washer.



**Product no. / Details**

Product no.	Material	Finish	Pack of
RT-5S	Steel	Nickel plated	20
RT-5B	Steel	Black trivalent chromate	20

**RZ**



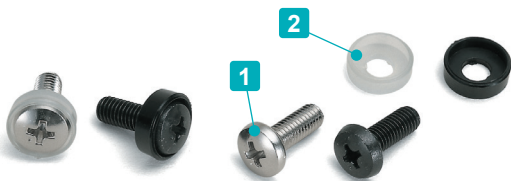
**Product no. / Details**

1 Round countersunk screw + 2 Decorative washer

Product no.	Material	Color / Finish	Pack of
RZ-5S	Brass	Silver / Nickel plated	20
	Steel screw	Black / Trivalent chromate	
RZ-5B	Brass washer	Semi-gloss black / Painted	20
	Steel screw	Black / Trivalent chromate	

**RW** series

**RACK MOUNTING SCREW with NYLON WASHER**



- Nylon washer can protect panel surface when mounting and give anti-loosening effect.
- Black color washer give aesthetical look on panel surface.
- Natural color washer could be faded under long time use.

**Components**

No.	Part name	Material	Color / Finish
1	Bind screw	Steel	Nickel plated • Black trivalent chromate
2	Nylon washer	Nylon	Black • Natural

**Product no. / Details**

Product no.	A	B	C	D	M	Screw	Washer	Pack of
RW-3B	7.8	2.5	1.0	6	3	Black trivalent chromate	Black	20
RW-4B	9.8	3.3	1.1	8	4	Black trivalent chromate	Black	20
RW-5B	12	4.0	1.3	14	5	Black trivalent chromate	Black	20
RW-5S	12	4.0	1.3	14	5	Nickel plated	Natural	20

