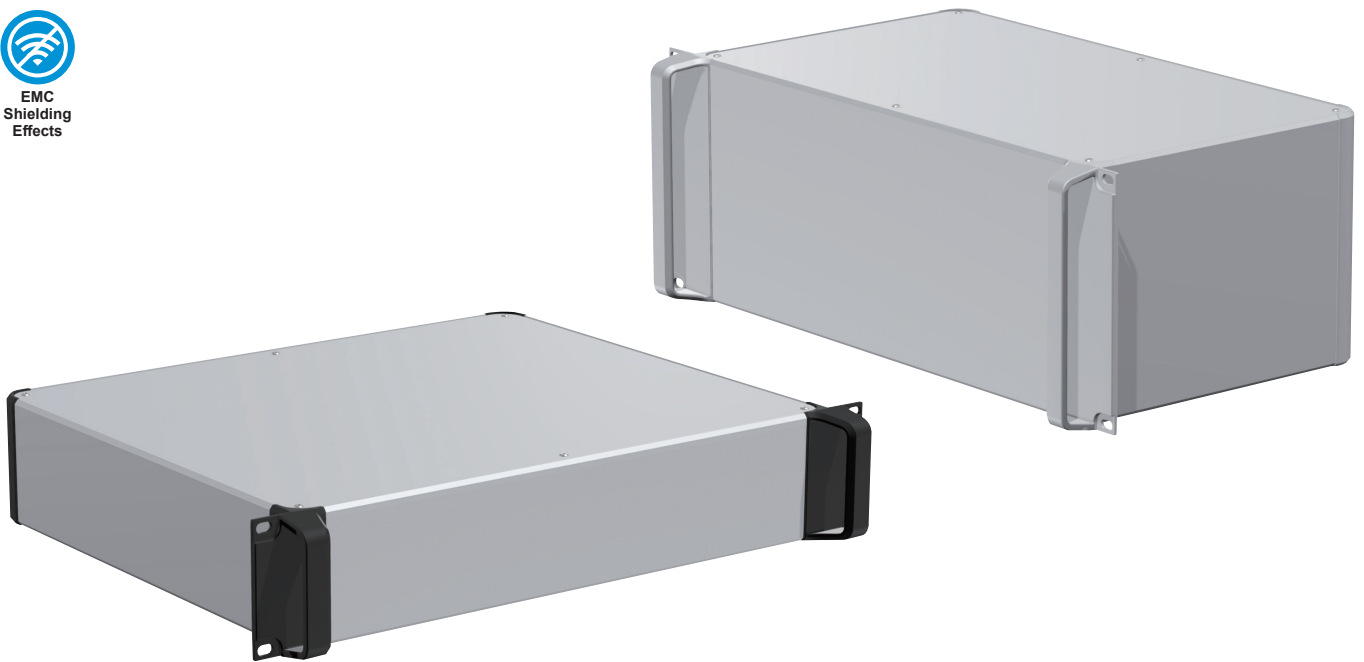
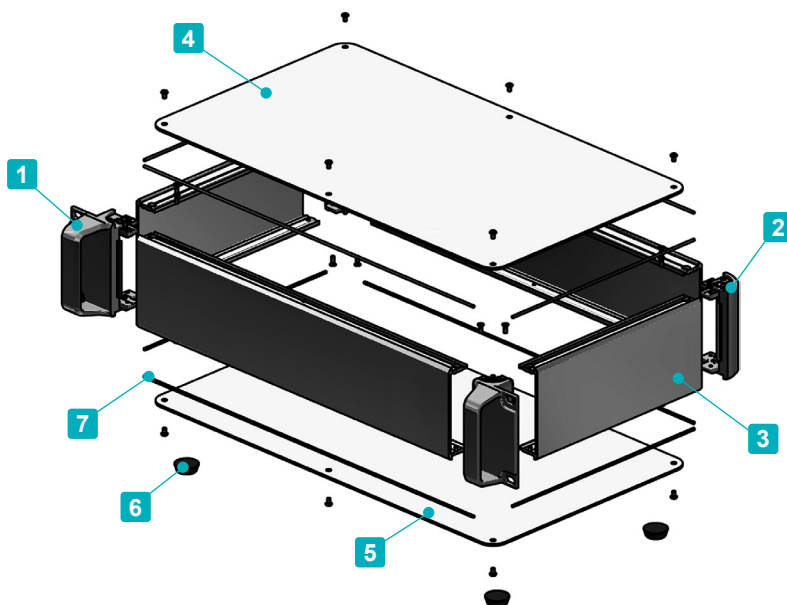




EMC
Shielding
Effects



- EMC shielded 19" Rack Mount Enclosure with 4 extruded aluminium frames.
- Flat and rugged design rack mounting aluminium case with handles.
- A large selection of 28 different sizes in 2 different colors to choose from.
- Suitable for use as audio/visual equipment, communication equipment, rack mount computers, measuring instruments and others.

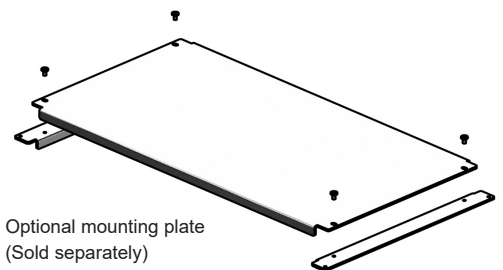


Included screws

- Top / Bottom cover
M3-5 original trapezoid head & Nickel plated x 8~16 pcs
- Frame
M3-8 flat head & Nickel plated x 16 pcs

Recommended torque : 0.3 ~ 0.6N • m

* Recommended torque listed is for reference only; actual may differ. Assemble after testing torque.



Components

| No. | Part name | Pcs | Material | Color / Finish |
|-----|----------------------|-----|------------------------------|--|
| 1 | Handle corner block | 2 | Diecast aluminium ADC12 | Silver • Black / Painted (Unfinished inside) |
| 2 | Corner block | 2 | Diecast aluminium ADC12 | Silver • Black / Painted (Unfinished inside) |
| 3 | Frame | 4 | Extruded aluminium A6063S-T5 | Silver / Painted (Unfinished inside) |
| 4 | Top cover | 1 | Aluminium A1100P | Silver / Painted (Conductive inside) |
| 5 | Bottom cover | 1 | Aluminium A1100P | Silver / Painted (Conductive inside) |
| 6 | Rubber feet | 4 | Synthetic rubber | Black |
| 7 | EMC shielding gasket | 8 | Conductive fiber UL94V-0 | Metallic gray |

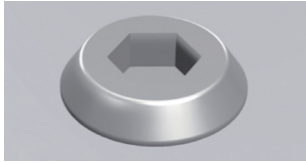
To select Screw and Color, follow steps **1** ~ **2** below to determine product number.

1 Screw

P Plus (Silver / Nickel plated)



H Hex (Silver / Nickel plated)



Hex wrench included.

2 Color

Please choose from the color combinations listed below.

S S



S B



Product Number

To determine a product number, fill H-W-D dimensions and select Screw and Color code in the following blank boxes.

AUXRE



H-W-D dimensions

See below for dimensions / product no.



Screw

(P or H)



Color

(SS • SB)

Numbering example : If looking at "H88 x W430 x D250mm, Screw type H, Color type SB"

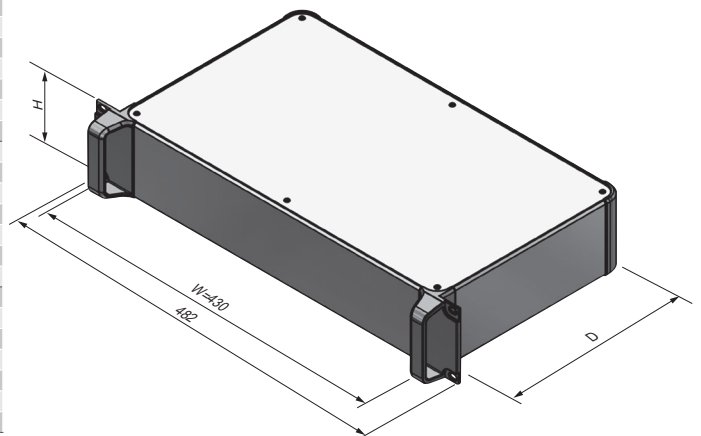
➔ **AUXRE 88-43-25 H-SB**

Product no. / Details ■ Please suffix screw and color code at the end of the product number.

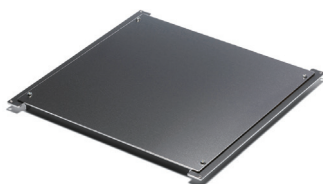
| Product no. | H | W | D | Weight (kg) |
|--------------------|-------|-----|-----|-------------|
| AUXRE 44-43-16□-□□ | 44 | 430 | 160 | 2.0 |
| AUXRE 44-43-20□-□□ | 44 | 430 | 200 | 2.3 |
| AUXRE 44-43-25□-□□ | 44 | 430 | 250 | 2.6 |
| AUXRE 44-43-30□-□□ | 44 | 430 | 300 | 2.9 |
| AUXRE 44-43-36□-□□ | 44 | 430 | 360 | 3.3 |
| AUXRE 44-43-43□-□□ | 44 | 430 | 430 | 3.7 |
| AUXRE 44-43-50□-□□ | 44 | 430 | 500 | 4.2 |
| AUXRE 88-43-16□-□□ | 88 | 430 | 160 | 2.0 |
| AUXRE 88-43-20□-□□ | 88 | 430 | 200 | 2.3 |
| AUXRE 88-43-25□-□□ | 88 | 430 | 250 | 2.6 |
| AUXRE 88-43-30□-□□ | 88 | 430 | 300 | 2.9 |
| AUXRE 88-43-36□-□□ | 88 | 430 | 360 | 3.3 |
| AUXRE 88-43-43□-□□ | 88 | 430 | 430 | 3.7 |
| AUXRE 88-43-50□-□□ | 88 | 430 | 500 | 4.2 |
| AUXRE133-43-16□-□□ | 132.5 | 430 | 160 | 2.6 |
| AUXRE133-43-20□-□□ | 132.5 | 430 | 200 | 2.9 |
| AUXRE133-43-25□-□□ | 132.5 | 430 | 250 | 3.3 |
| AUXRE133-43-30□-□□ | 132.5 | 430 | 300 | 3.6 |
| AUXRE133-43-36□-□□ | 132.5 | 430 | 360 | 4.1 |
| AUXRE133-43-43□-□□ | 132.5 | 430 | 430 | 4.6 |
| AUXRE133-43-50□-□□ | 132.5 | 430 | 500 | 5.1 |
| AUXRE177-43-16□-□□ | 177 | 430 | 160 | 3.0 |
| AUXRE177-43-20□-□□ | 177 | 430 | 200 | 3.4 |
| AUXRE177-43-25□-□□ | 177 | 430 | 250 | 3.8 |
| AUXRE177-43-30□-□□ | 177 | 430 | 300 | 4.2 |
| AUXRE177-43-36□-□□ | 177 | 430 | 360 | 4.6 |
| AUXRE177-43-43□-□□ | 177 | 430 | 430 | 5.2 |
| AUXRE177-43-50□-□□ | 177 | 430 | 500 | 5.8 |

AUXRE dimensions

■ DXF/DWG/PDF/STP drawings available on our website.



Accessories (Optional parts)



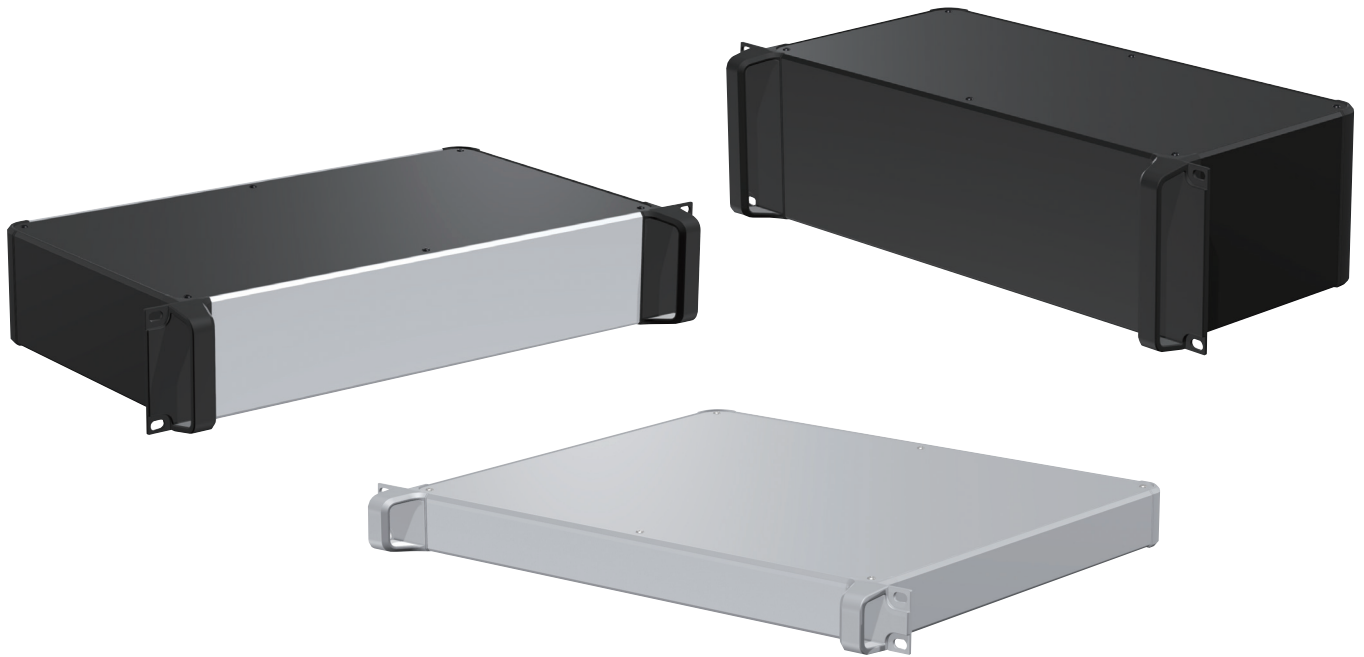
Mounting plate AUC series
See page 179 ~ 180



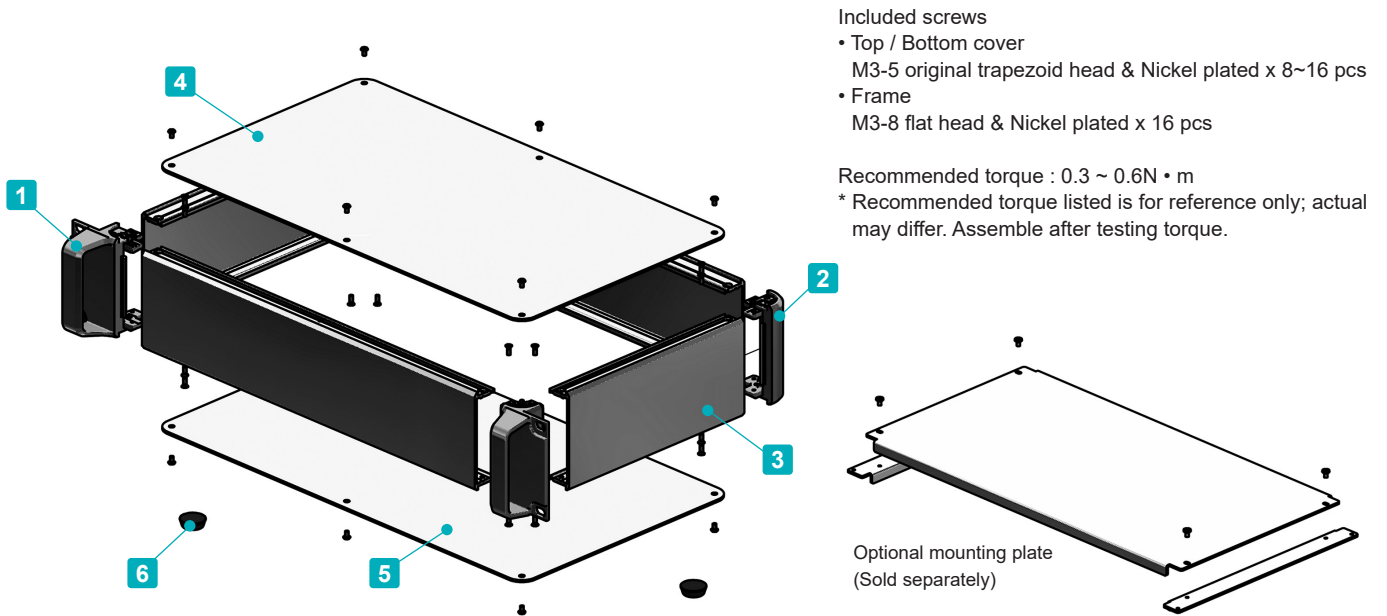
Rack mounting screw RT series
See page RT • RZ • RW



Rack mounting screw RZ series
See page RT • RZ • RW



- 19" Rack Mount Enclosure with 4 extruded aluminium frames.
- Flat and rugged design rack mounting aluminium case with handles.
- A wide selection of 28 different sizes in 4 different colors to choose from.
- Suitable for use as audio/visual equipment, communication equipment, rack mount computers, measuring instruments and others.



Included screws
 • Top / Bottom cover
 M3-5 original trapezoid head & Nickel plated x 8~16 pcs
 • Frame
 M3-8 flat head & Nickel plated x 16 pcs

Recommended torque : 0.3 ~ 0.6N · m
 * Recommended torque listed is for reference only; actual may differ. Assemble after testing torque.

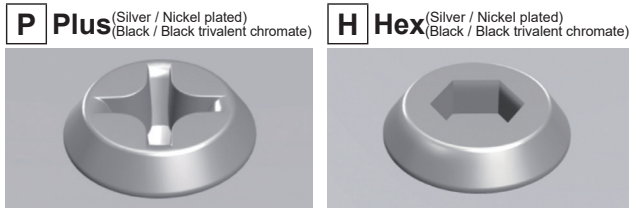
Optional mounting plate
 (Sold separately)

Components

| No. | Part name | Pcs | Material | Color / Finish |
|-----|---------------------|-----|------------------------------|--|
| 1 | Handle corner block | 2 | Diecast aluminium ADC12 | Silver • Black / Painted (Unfinished inside) |
| 2 | Corner block | 2 | Diecast aluminium ADC12 | Silver • Black / Painted (Unfinished inside) |
| 3 | Frame | 4 | Extruded aluminium A6063S-T5 | Silver • Black / Anodized |
| 4 | Top cover | 1 | Aluminium A1100P | Silver • Black / Anodized |
| 5 | Bottom cover | 1 | Aluminium A1100P | Silver • Black / Anodized |
| 6 | Rubber feet | 4 | Synthetic rubber | Black |

To select Screw and Color, follow steps **1** ~ **2** below to determine product number.

1 Screw

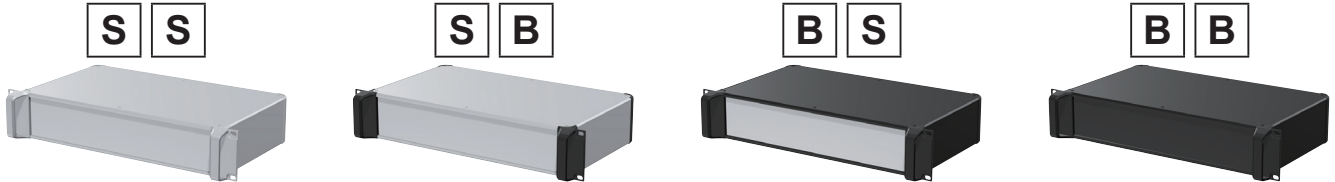


*Color of screw will be the same as top • bottom cover color.

Hex wrench included.

2 Color

Please choose from the color combinations listed below.



Product Number

To determine a product number, fill H-W-D dimensions and select Screw and Color code in the following blank boxes.

AUXR - - -

H-W-D dimensions **Screw** **Color**
 See below for dimensions / product no. (P or H) (SS • SB • BS • BB)

Numbering example : If looking at "H88 x W430 x D250mm, Screw type H, Color type BS"

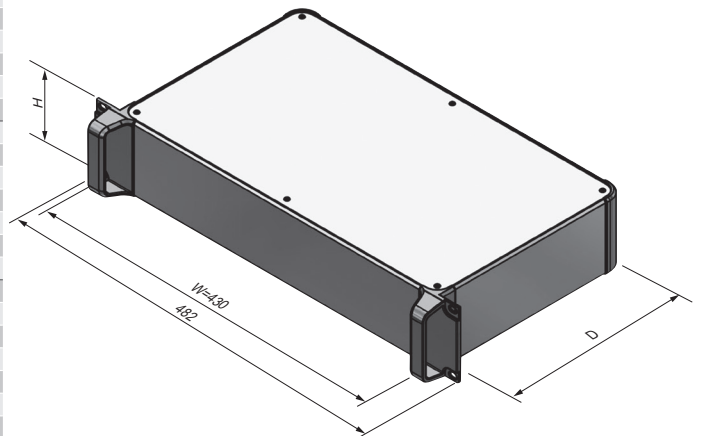
➔ **AUXR 88-43-25 H-BS**

Product no. / Details ■ Please suffix screw and color code at the end of the product number.

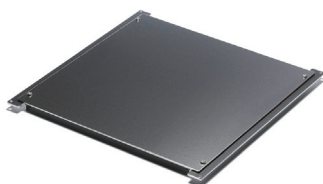
| Product no. | H | W | D | Weight (kg) |
|-------------------|-------|-----|-----|-------------|
| AUXR 44-43-16□-□□ | 44 | 430 | 160 | 1.6 |
| AUXR 44-43-20□-□□ | 44 | 430 | 200 | 1.8 |
| AUXR 44-43-25□-□□ | 44 | 430 | 250 | 2.1 |
| AUXR 44-43-30□-□□ | 44 | 430 | 300 | 2.4 |
| AUXR 44-43-36□-□□ | 44 | 430 | 360 | 2.7 |
| AUXR 44-43-43□-□□ | 44 | 430 | 430 | 3.1 |
| AUXR 44-43-50□-□□ | 44 | 430 | 500 | 3.5 |
| AUXR 88-43-16□-□□ | 88 | 430 | 160 | 2.0 |
| AUXR 88-43-20□-□□ | 88 | 430 | 200 | 2.3 |
| AUXR 88-43-25□-□□ | 88 | 430 | 250 | 2.6 |
| AUXR 88-43-30□-□□ | 88 | 430 | 300 | 2.9 |
| AUXR 88-43-36□-□□ | 88 | 430 | 360 | 3.3 |
| AUXR 88-43-43□-□□ | 88 | 430 | 430 | 3.7 |
| AUXR 88-43-50□-□□ | 88 | 430 | 500 | 4.2 |
| AUXR133-43-16□-□□ | 132.5 | 430 | 160 | 2.6 |
| AUXR133-43-20□-□□ | 132.5 | 430 | 200 | 2.9 |
| AUXR133-43-25□-□□ | 132.5 | 430 | 250 | 3.2 |
| AUXR133-43-30□-□□ | 132.5 | 430 | 300 | 3.6 |
| AUXR133-43-36□-□□ | 132.5 | 430 | 360 | 4.0 |
| AUXR133-43-43□-□□ | 132.5 | 430 | 430 | 4.6 |
| AUXR133-43-50□-□□ | 132.5 | 430 | 500 | 5.1 |
| AUXR177-43-16□-□□ | 177 | 430 | 160 | 3.0 |
| AUXR177-43-20□-□□ | 177 | 430 | 200 | 3.4 |
| AUXR177-43-25□-□□ | 177 | 430 | 250 | 3.8 |
| AUXR177-43-30□-□□ | 177 | 430 | 300 | 4.2 |
| AUXR177-43-36□-□□ | 177 | 430 | 360 | 4.6 |
| AUXR177-43-43□-□□ | 177 | 430 | 430 | 5.2 |
| AUXR177-43-50□-□□ | 177 | 430 | 500 | 5.7 |

AUXR dimensions

■ DXF/DWG/PDF/STP drawings available on our website.



Accessories (Optional parts)



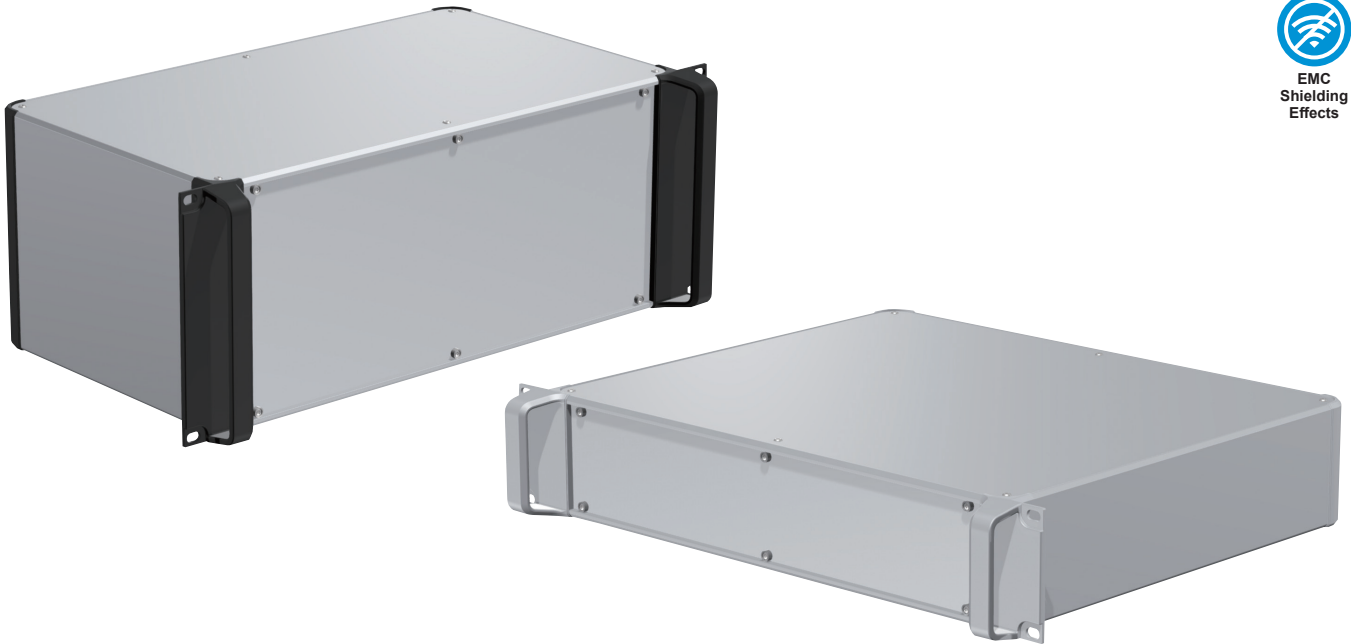
Mounting plate AUC series
See page 179 ~ 180



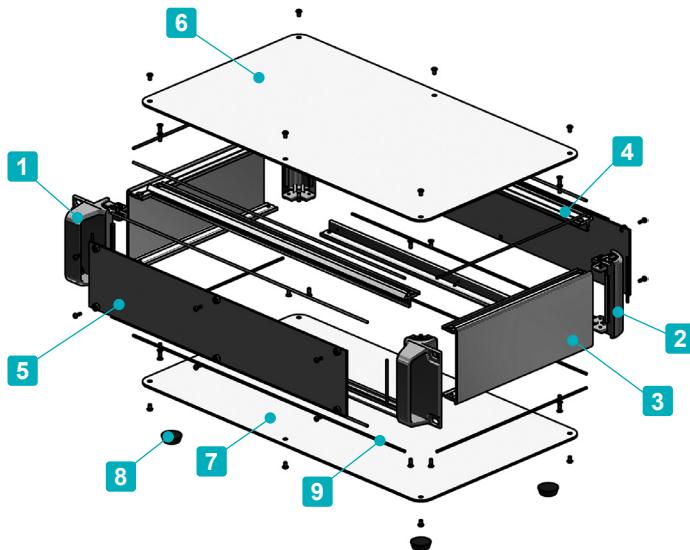
Rack mounting screw RT series
See page RT • RZ • RW



Rack mounting screw RZ series
See page RT • RZ • RW



- EMC shielded 19" enclosure with handles.
- Detachable front/rear panels and Captive screws allow for easy maintenance as there is little risk of the screws dropping out and getting lost.
- A large selection of 21 different sizes in 2 different colors to choose from.
- Suitable for use as audio/visual equipment, communication equipment, rack mount computers, measuring instruments and others.

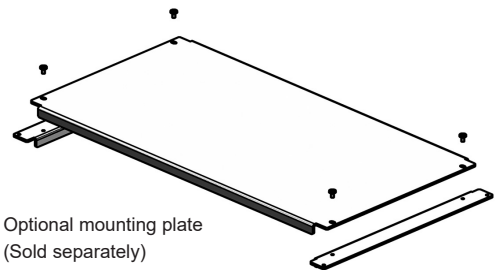


Included screws

- Top / Bottom cover
M3-5 original trapezoid head & Nickel plated x 8~16 pcs
- Frame
M3-8 flat head & Nickel plated x 16 pcs

Recommended torque : $\begin{cases} M2.5 : 0.15 \sim 0.2N \cdot m \\ M3 / M4 : 0.3 \sim 0.6N \cdot m \end{cases}$

* Recommended torque listed is for reference only; actual may differ. Assemble after testing torque.



Components

| No. | Part name | Pcs | Material | Color / Finish |
|-----|----------------------|-----|------------------------------|--|
| 1 | Handle corner block | 2 | Diecast aluminium ADC12 | Silver • Black / Painted (Unfinished inside) |
| 2 | Corner block | 2 | Diecast aluminium ADC12 | Silver • Black / Painted (Unfinished inside) |
| 3 | Frame | 2 | Extruded aluminium A6063S-T5 | Silver / Painted (Unfinished inside) |
| 4 | Panel support frame | 4 | Extruded aluminium A6063S-T5 | Silver / Painted (Unfinished inside) |
| 5 | Panel | 2 | Aluminium A1100P | Silver / Painted (Conductive inside) |
| 6 | Top cover | 1 | Aluminium A1100P | Silver / Painted (Conductive inside) |
| 7 | Bottom cover | 1 | Aluminium A1100P | Silver / Painted (Conductive inside) |
| 8 | Rubber feet | 4 | Synthetic rubber | Black |
| 9 | EMC shielding gasket | 16 | Conductive fiber UL94V-0 | Metallic gray |

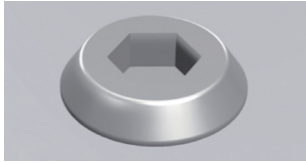
To select Screw and Color, follow steps **1** ~ **2** below to determine product number.

1 Screw

P Plus (Silver / Nickel plated)



H Hex (Silver / Nickel plated)



Hex wrench included.

2 Color

Please choose from the color combinations listed below.

S S

S B



Product Number

To determine a product number, fill H-W-D dimensions and select Screw and Color code in the following blank boxes.

AUPRE



H-W-D dimensions

See below for dimensions / product no.



Screw

(P or H)



Color

(SS • SB)

Numbering example : If looking at "H88 x W430 x D250mm, Screw type H, Color type SB"

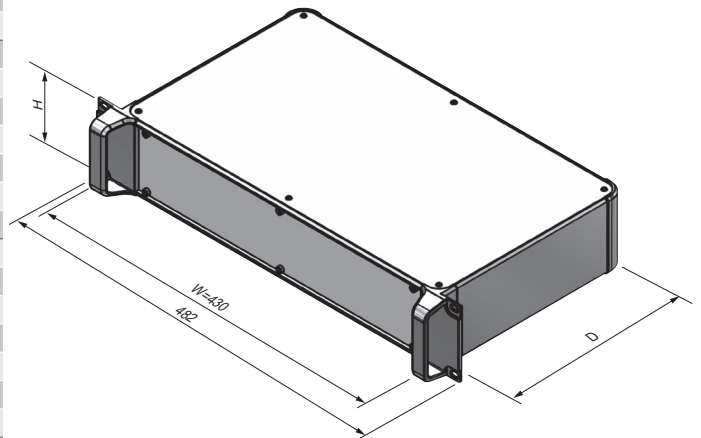
➔ **AUPRE 88-43-25 H-SB**

Product no. / Details ■ Please suffix screw and color code at the end of the product number.

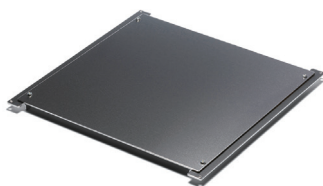
| Product no. | H | W | D | Weight (kg) |
|--------------------|-------|-----|-----|-------------|
| AUPRE 88-43-16□-□□ | 88 | 430 | 160 | 2.1 |
| AUPRE 88-43-20□-□□ | 88 | 430 | 200 | 2.3 |
| AUPRE 88-43-25□-□□ | 88 | 430 | 250 | 2.6 |
| AUPRE 88-43-30□-□□ | 88 | 430 | 300 | 2.9 |
| AUPRE 88-43-36□-□□ | 88 | 430 | 360 | 3.3 |
| AUPRE 88-43-43□-□□ | 88 | 430 | 430 | 3.7 |
| AUPRE 88-43-50□-□□ | 88 | 430 | 500 | 4.2 |
| AUPRE133-43-16□-□□ | 132.5 | 430 | 160 | 2.5 |
| AUPRE133-43-20□-□□ | 132.5 | 430 | 200 | 2.8 |
| AUPRE133-43-25□-□□ | 132.5 | 430 | 250 | 3.1 |
| AUPRE133-43-30□-□□ | 132.5 | 430 | 300 | 3.5 |
| AUPRE133-43-36□-□□ | 132.5 | 430 | 360 | 3.9 |
| AUPRE133-43-43□-□□ | 132.5 | 430 | 430 | 4.4 |
| AUPRE133-43-50□-□□ | 132.5 | 430 | 500 | 4.9 |
| AUPRE177-43-16□-□□ | 177 | 430 | 160 | 2.8 |
| AUPRE177-43-20□-□□ | 177 | 430 | 200 | 3.1 |
| AUPRE177-43-25□-□□ | 177 | 430 | 250 | 3.5 |
| AUPRE177-43-30□-□□ | 177 | 430 | 300 | 3.9 |
| AUPRE177-43-36□-□□ | 177 | 430 | 360 | 4.4 |
| AUPRE177-43-43□-□□ | 177 | 430 | 430 | 5.0 |
| AUPRE177-43-50□-□□ | 177 | 430 | 500 | 5.5 |

AUPRE dimensions

■ DXF/DWG/PDF/STP drawings available on our website.



Accessories (Optional parts)



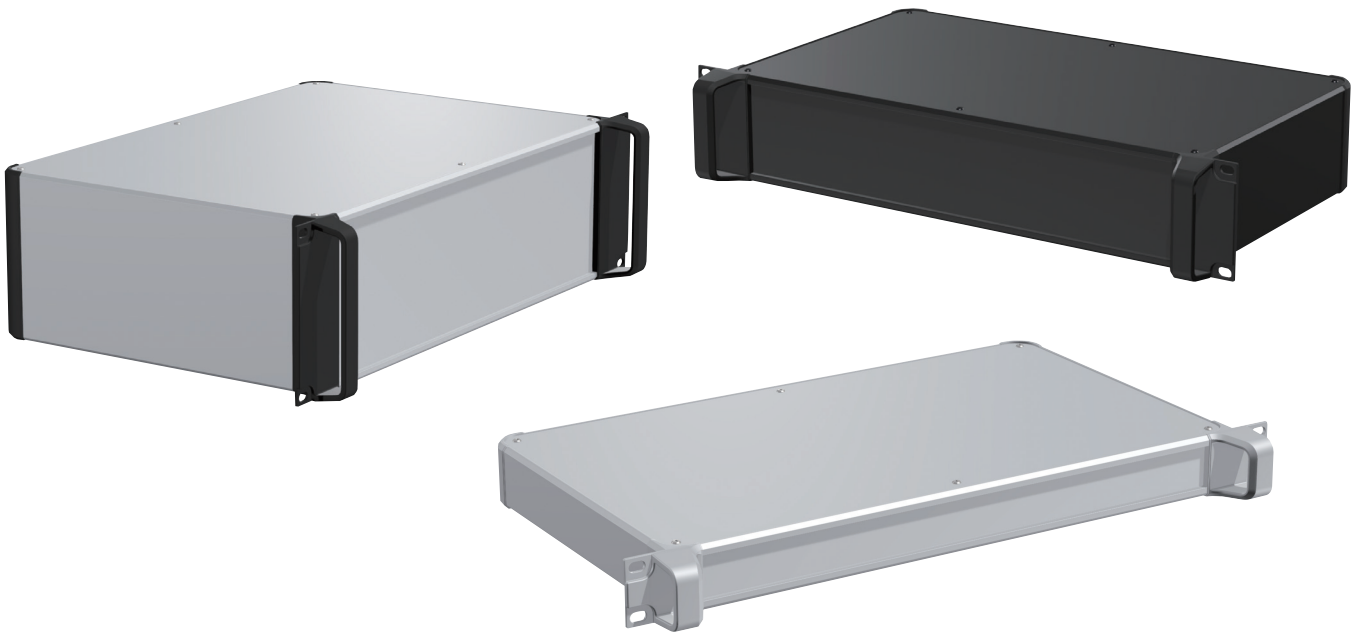
Mounting plate AUC series
See page 179 ~ 180



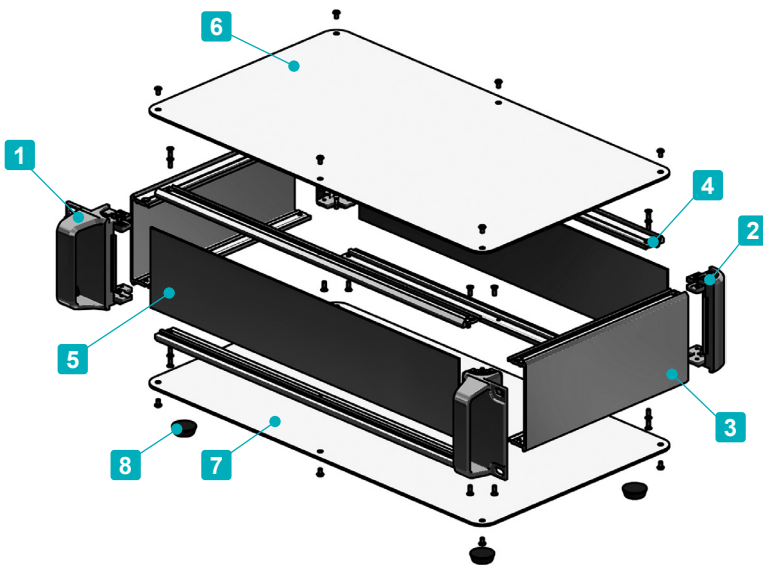
Rack mounting screw RT series
See page RT • RZ • RW



Rack mounting screw RZ series
See page RT • RZ • RW



- 19" rack mount enclosure with insertion type front/rear panels, giving it a beautiful appearance.
- A large selection of 28 different sizes in 4 different colors to choose from.
- Suitable for use as audio/visual equipment, communication equipment, rack mount computers, measuring instruments and others.

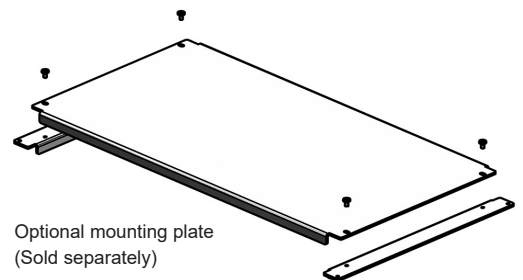


Included screws

- Top / Bottom cover
M3-5 original trapezoid head & Nickel plated x 8~16 pcs
- Frame
M3-8 flat head & Nickel plated x 16 pcs

Recommended torque : 0.3 ~ 0.6N • m

* Recommended torque listed is for reference only; actual may differ. Assemble after testing torque.

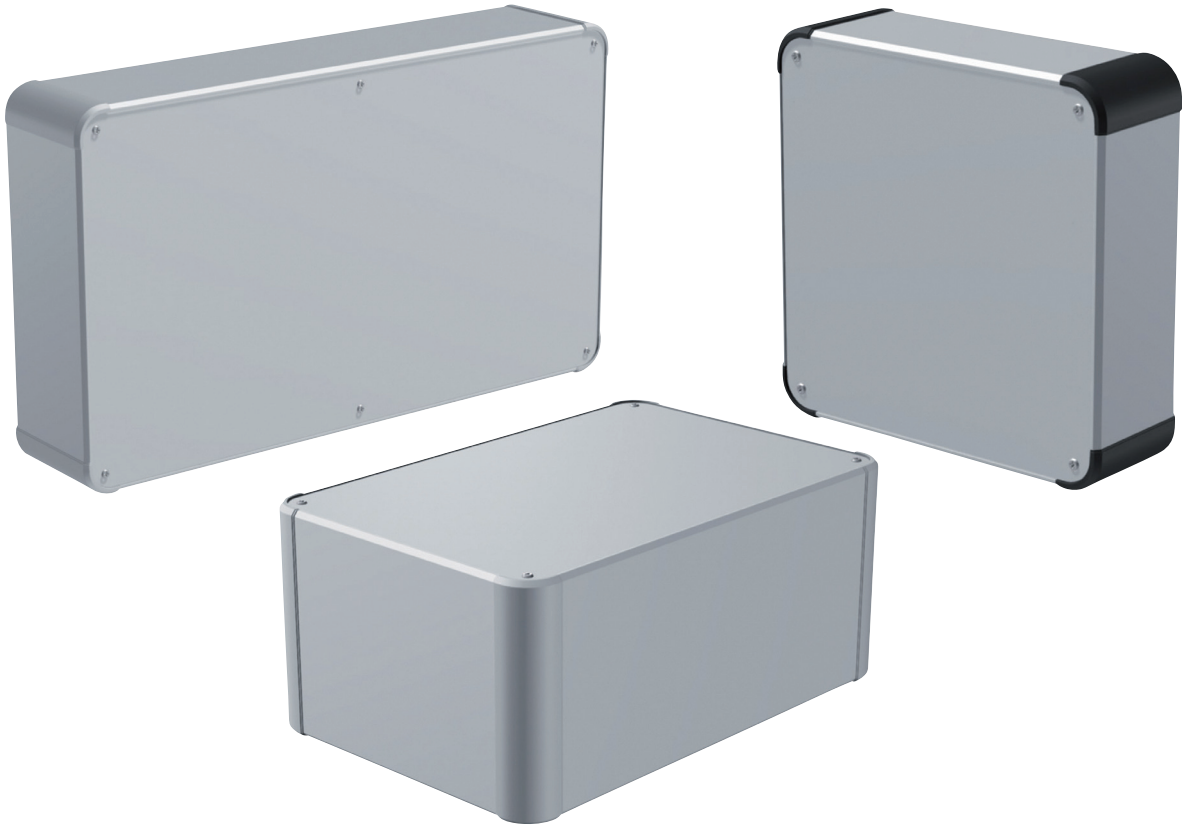


Components

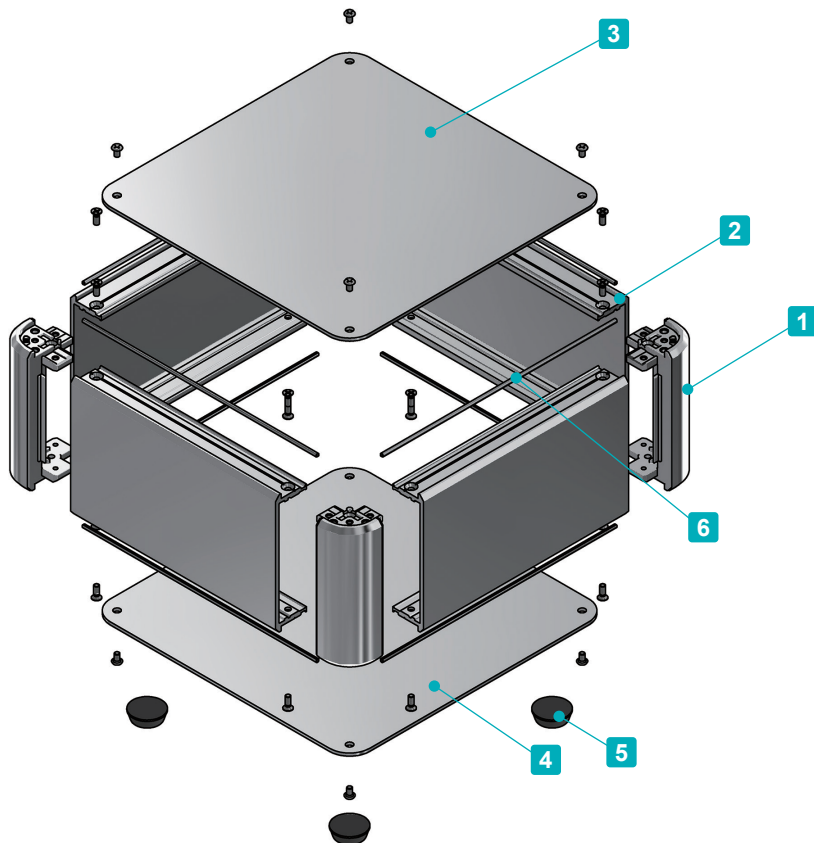
| No. | Part name | Pcs | Material | Color / Finish |
|-----|---------------------|-----|------------------------------|--|
| 1 | Handle Corner Block | 2 | Diecast aluminium ADC12 | Silver • Black / Painted (Unfinished inside) |
| 2 | Corner block | 2 | Diecast aluminium ADC12 | Silver • Black / Painted (Unfinished inside) |
| 3 | Frame | 2 | Extruded aluminium A6063S-T5 | Silver • Black / Anodized |
| 4 | Panel support frame | 4 | Extruded aluminium A6063S-T5 | Silver • Black / Anodized |
| 5 | Panel | 2 | Aluminium A1100P | Silver • Black / Anodized |
| 6 | Top cover | 1 | Aluminium A1100P | Silver • Black / Anodized |
| 7 | Bottom cover | 1 | Aluminium A1100P | Silver • Black / Anodized |
| 8 | Rubber feet | 4 | Synthetic rubber | Black |



EMC
Shielding
Effects



- Round corner designed aluminium enclosure with 4 extruded aluminium frames.
- Shielding gasket allows the enclosure to be EMC shielded.
- A large selection of 135 different sizes and 2 colors to choose from.
- Feet is selectable between adhesive rubber or aluminium type.



Included screws

- Top / Bottom cover
M3-5 original trapezoid head (plus / hex) & Nickel plated x 8~16 pcs
- Frame
M3-8 flat head & Nickel plated x 16 pcs
- Aluminium feet
M4-8 bind head & Black trivalent chromate x 4 pcs

Recommended torque : 0.3 ~ 0.6N • m

* Recommended torque listed is for reference only; actual may differ.
Assemble after testing torque.

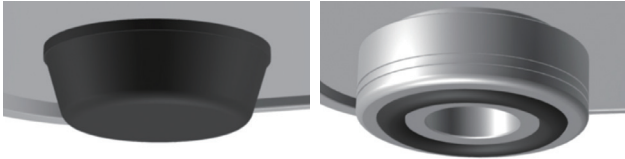
Components

| No. | Part name | Pcs | Material | Color / Finish |
|-----|---------------------------------------|-----|------------------------------|--|
| 1 | Corner block | 4 | Diecast aluminium ADC12 | Silver • Black / Painted (Unfinished inside) |
| 2 | Frame | 4 | Extruded aluminium A6063S-T5 | Silver / Painted (Unfinished inside) |
| 3 | Top cover | 1 | Aluminium A1100P | Silver / Painted (Conductive inside) |
| 4 | Bottom cover | 1 | Aluminium A1100P | Silver / Painted (Conductive inside) |
| 5 | Adhesive Rubber feet : Aluminium feet | 4 | Synthetic rubber : Aluminium | Black : Silver / Anodized |
| 6 | EMC shielding gasket | 8 | Conductive fiber UL94V-0 | Metallic gray |

To select Feet, Screw, and Color, follow steps **1** ~ **3** to determine product number.

1 Feet

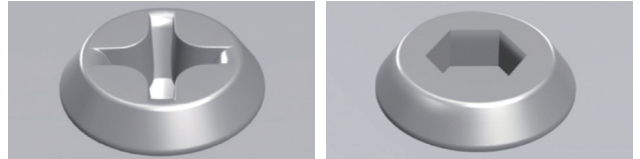
R Rubber (Black / Unfinished) **A** Aluminium (Silver / Anodized)



*Color of "Aluminium Feet" will be the same as bottom cover color.

2 Screw

P Plus (Silver / Nickel plated) **H** Hex (Silver / Nickel plated)



Hex wrench included.

3 Color

Please choose from the color combinations listed below.

S S



S B



Product Number

To determine a product number, fill H-W-D dimensions and select Feet, Screw, and Color code in the following blank boxes.

AUXE

- -

H-W-D dimensions

See page 169~170 for dimensions and product no.

1 Feet **2** Screw

R or A P or H

3 Color

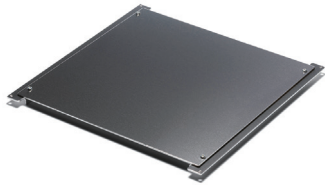
SS or SB

Numbering example :

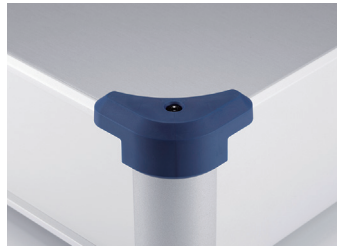
If looking at "H132.5 x W300 x D300mm, Feet type R, Screw type P, Color type SB"

➔ **AUXE 133-30-30 RP-SB**

Accessories (Optional parts)



Mounting plate AUC series
See page 179 ~ 180



Corner guard AUCG series
See page 180



Elastomer carrying handle FM200
See page FM200 • MH

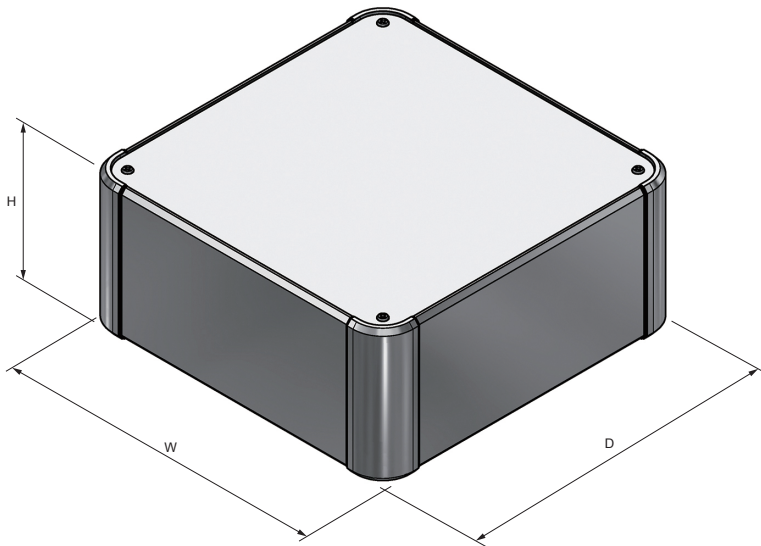


Aluminium handle OH series
See page OH • KH-1



Wall mount support arm MAR series
See page 181 ~ 182

AUXE dimensions



■ DXF/DWG/PDF/STP drawings available on our website.

■ Feet is selectable between rubber or aluminium type.
※Rubber and aluminium feet height are different.

Rubber Feet



Aluminium Feet



Product no. / Details

■ Please suffix color code at the end of the product number.

| Product no. | H | W | D | Weight (kg) |
|------------------------|----|-----|-----|-------------|
| NEW AUXE 44-16-16□□-□□ | 44 | 160 | 160 | 0.7 |
| NEW AUXE 44-20-16□□-□□ | 44 | 200 | 160 | 0.8 |
| NEW AUXE 44-20-20□□-□□ | 44 | 200 | 200 | 0.9 |
| NEW AUXE 44-25-16□□-□□ | 44 | 250 | 160 | 1.0 |
| NEW AUXE 44-25-20□□-□□ | 44 | 250 | 200 | 1.1 |
| NEW AUXE 44-25-25□□-□□ | 44 | 250 | 250 | 1.3 |
| NEW AUXE 44-30-16□□-□□ | 44 | 300 | 160 | 1.1 |
| NEW AUXE 44-30-20□□-□□ | 44 | 300 | 200 | 1.3 |
| NEW AUXE 44-30-25□□-□□ | 44 | 300 | 250 | 1.5 |
| NEW AUXE 44-30-30□□-□□ | 44 | 300 | 300 | 1.7 |
| NEW AUXE 44-36-16□□-□□ | 44 | 360 | 160 | 1.2 |
| NEW AUXE 44-36-20□□-□□ | 44 | 360 | 200 | 1.5 |
| NEW AUXE 44-36-25□□-□□ | 44 | 360 | 250 | 1.7 |
| NEW AUXE 44-36-30□□-□□ | 44 | 360 | 300 | 2.0 |

| Product no. | H | W | D | Weight (kg) |
|------------------------|----|-----|-----|-------------|
| NEW AUXE 44-36-36□□-□□ | 44 | 360 | 360 | 2.3 |
| NEW AUXE 44-43-16□□-□□ | 44 | 430 | 160 | 1.5 |
| NEW AUXE 44-43-20□□-□□ | 44 | 430 | 200 | 1.7 |
| NEW AUXE 44-43-25□□-□□ | 44 | 430 | 250 | 2.0 |
| NEW AUXE 44-43-30□□-□□ | 44 | 430 | 300 | 2.3 |
| NEW AUXE 44-43-36□□-□□ | 44 | 430 | 360 | 2.6 |
| NEW AUXE 44-43-43□□-□□ | 44 | 430 | 430 | 3.0 |
| NEW AUXE 44-50-30□□-□□ | 44 | 500 | 300 | 2.6 |
| NEW AUXE 44-50-36□□-□□ | 44 | 500 | 360 | 3.0 |
| NEW AUXE 44-50-43□□-□□ | 44 | 500 | 430 | 3.4 |
| NEW AUXE 44-50-50□□-□□ | 44 | 500 | 500 | 3.9 |
| NEW AUXE 44-60-36□□-□□ | 44 | 600 | 360 | 3.5 |
| NEW AUXE 44-60-43□□-□□ | 44 | 600 | 430 | 4.0 |

Product no. / Details

■ Please suffix color code at the end of the product number.

| Product no. | H | W | D | Weight (kg) |
|-------------------------------|----|-----|-----|-------------|
| AUXE 66-16-16□□-□□ | 66 | 160 | 160 | 0.9 |
| AUXE 66-20-16□□-□□ | 66 | 200 | 160 | 1.0 |
| AUXE 66-20-20□□-□□ | 66 | 200 | 200 | 1.1 |
| AUXE 66-25-16□□-□□ | 66 | 250 | 160 | 1.2 |
| AUXE 66-25-20□□-□□ | 66 | 250 | 200 | 1.3 |
| AUXE 66-25-25□□-□□ | 66 | 250 | 250 | 1.5 |
| AUXE 66-30-16□□-□□ | 66 | 300 | 160 | 1.3 |
| AUXE 66-30-20□□-□□ | 66 | 300 | 200 | 1.5 |
| AUXE 66-30-25□□-□□ | 66 | 300 | 250 | 1.7 |
| AUXE 66-30-30□□-□□ | 66 | 300 | 300 | 2.0 |
| NEW AUXE 66-36-16□□-□□ | 66 | 360 | 160 | 1.4 |
| AUXE 66-36-20□□-□□ | 66 | 360 | 200 | 1.7 |
| AUXE 66-36-25□□-□□ | 66 | 360 | 250 | 2.0 |
| AUXE 66-36-30□□-□□ | 66 | 360 | 300 | 2.2 |
| AUXE 66-36-36□□-□□ | 66 | 360 | 360 | 2.6 |
| NEW AUXE 66-43-16□□-□□ | 66 | 430 | 160 | 1.8 |
| AUXE 66-43-20□□-□□ | 66 | 430 | 200 | 2.0 |
| AUXE 66-43-25□□-□□ | 66 | 430 | 250 | 2.3 |
| AUXE 66-43-30□□-□□ | 66 | 430 | 300 | 2.6 |
| AUXE 66-43-36□□-□□ | 66 | 430 | 360 | 3.0 |
| AUXE 66-43-43□□-□□ | 66 | 430 | 430 | 3.4 |
| AUXE 66-50-30□□-□□ | 66 | 500 | 300 | 2.9 |
| AUXE 66-50-36□□-□□ | 66 | 500 | 360 | 3.3 |
| AUXE 66-50-43□□-□□ | 66 | 500 | 430 | 3.8 |
| AUXE 66-50-50□□-□□ | 66 | 500 | 500 | 4.3 |
| AUXE 66-60-36□□-□□ | 66 | 600 | 360 | 3.8 |
| AUXE 66-60-43□□-□□ | 66 | 600 | 430 | 4.4 |
| AUXE 88-16-16□□-□□ | 88 | 160 | 160 | 1.0 |
| AUXE 88-20-16□□-□□ | 88 | 200 | 160 | 1.1 |
| AUXE 88-20-20□□-□□ | 88 | 200 | 200 | 1.3 |
| AUXE 88-25-16□□-□□ | 88 | 250 | 160 | 1.3 |
| AUXE 88-25-20□□-□□ | 88 | 250 | 200 | 1.5 |
| AUXE 88-25-25□□-□□ | 88 | 250 | 250 | 1.7 |
| AUXE 88-30-16□□-□□ | 88 | 300 | 160 | 1.5 |
| AUXE 88-30-20□□-□□ | 88 | 300 | 200 | 1.7 |
| AUXE 88-30-25□□-□□ | 88 | 300 | 250 | 1.9 |
| AUXE 88-30-30□□-□□ | 88 | 300 | 300 | 2.2 |
| NEW AUXE 88-36-16□□-□□ | 88 | 360 | 160 | 1.6 |
| AUXE 88-36-20□□-□□ | 88 | 360 | 200 | 1.9 |
| AUXE 88-36-25□□-□□ | 88 | 360 | 250 | 2.2 |
| AUXE 88-36-30□□-□□ | 88 | 360 | 300 | 2.4 |
| AUXE 88-36-36□□-□□ | 88 | 360 | 360 | 2.8 |
| NEW AUXE 88-43-16□□-□□ | 88 | 430 | 160 | 1.9 |
| AUXE 88-43-20□□-□□ | 88 | 430 | 200 | 2.2 |
| AUXE 88-43-25□□-□□ | 88 | 430 | 250 | 2.5 |
| AUXE 88-43-30□□-□□ | 88 | 430 | 300 | 2.8 |
| AUXE 88-43-36□□-□□ | 88 | 430 | 360 | 3.2 |
| AUXE 88-43-43□□-□□ | 88 | 430 | 430 | 3.6 |
| AUXE 88-50-30□□-□□ | 88 | 500 | 300 | 3.2 |
| AUXE 88-50-36□□-□□ | 88 | 500 | 360 | 3.6 |
| AUXE 88-50-43□□-□□ | 88 | 500 | 430 | 4.1 |
| AUXE 88-50-50□□-□□ | 88 | 500 | 500 | 4.6 |
| AUXE 88-60-36□□-□□ | 88 | 600 | 360 | 4.1 |
| AUXE 88-60-43□□-□□ | 88 | 600 | 430 | 4.7 |

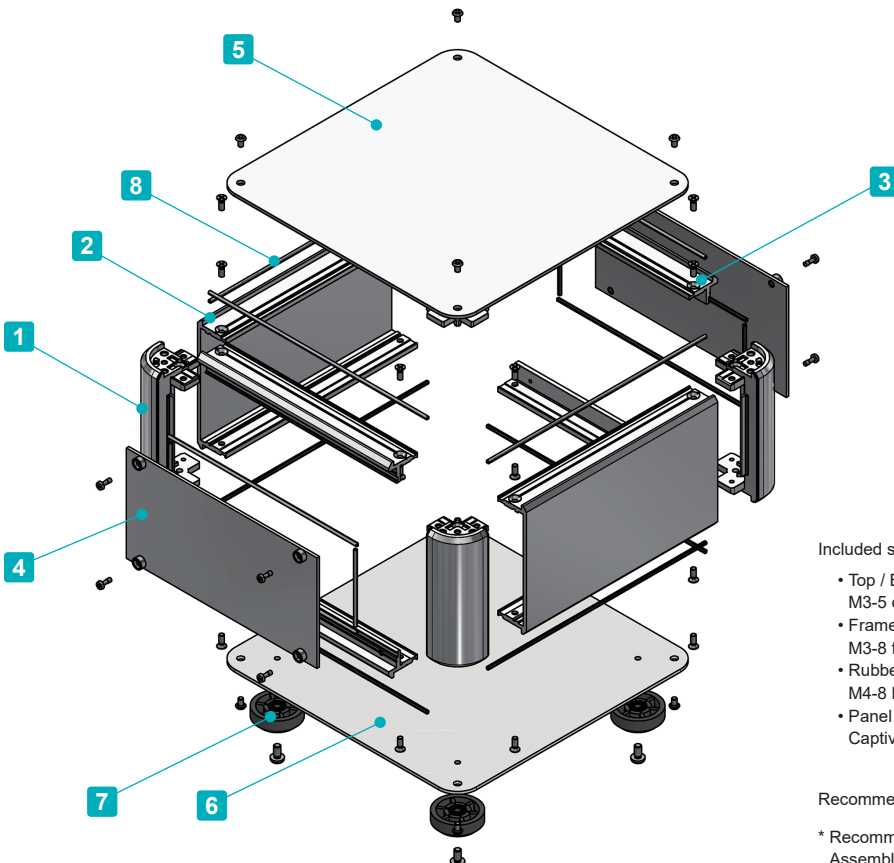
| Product no. | H | W | D | Weight (kg) |
|-------------------------------|-------|-----|-----|-------------|
| AUXE133-16-16□□-□□ | 132.5 | 160 | 160 | 1.3 |
| AUXE133-20-16□□-□□ | 132.5 | 200 | 160 | 1.5 |
| AUXE133-20-20□□-□□ | 132.5 | 200 | 200 | 1.7 |
| AUXE133-25-16□□-□□ | 132.5 | 250 | 160 | 1.7 |
| AUXE133-25-20□□-□□ | 132.5 | 250 | 200 | 1.9 |
| AUXE133-25-25□□-□□ | 132.5 | 250 | 250 | 2.2 |
| AUXE133-30-16□□-□□ | 132.5 | 300 | 160 | 1.9 |
| AUXE133-30-20□□-□□ | 132.5 | 300 | 200 | 2.1 |
| AUXE133-30-25□□-□□ | 132.5 | 300 | 250 | 2.4 |
| AUXE133-30-30□□-□□ | 132.5 | 300 | 300 | 2.7 |
| NEW AUXE133-36-16□□-□□ | 132.5 | 360 | 160 | 2.2 |
| AUXE133-36-20□□-□□ | 132.5 | 360 | 200 | 2.4 |
| AUXE133-36-25□□-□□ | 132.5 | 360 | 250 | 2.7 |
| AUXE133-36-30□□-□□ | 132.5 | 360 | 300 | 3.1 |
| AUXE133-36-36□□-□□ | 132.5 | 360 | 360 | 3.4 |
| NEW AUXE133-43-16□□-□□ | 132.5 | 430 | 160 | 2.5 |
| AUXE133-43-20□□-□□ | 132.5 | 430 | 200 | 2.8 |
| AUXE133-43-25□□-□□ | 132.5 | 430 | 250 | 3.1 |
| AUXE133-43-30□□-□□ | 132.5 | 430 | 300 | 3.5 |
| AUXE133-43-36□□-□□ | 132.5 | 430 | 360 | 3.9 |
| AUXE133-43-43□□-□□ | 132.5 | 430 | 430 | 4.4 |
| AUXE133-50-30□□-□□ | 132.5 | 500 | 300 | 3.9 |
| AUXE133-50-36□□-□□ | 132.5 | 500 | 360 | 4.4 |
| AUXE133-50-43□□-□□ | 132.5 | 500 | 430 | 4.9 |
| AUXE133-50-50□□-□□ | 132.5 | 500 | 500 | 5.5 |
| AUXE133-60-36□□-□□ | 132.5 | 600 | 360 | 5.0 |
| AUXE133-60-43□□-□□ | 132.5 | 600 | 430 | 5.7 |
| NEW AUXE177-16-16□□-□□ | 177 | 160 | 160 | 1.5 |
| NEW AUXE177-20-16□□-□□ | 177 | 200 | 160 | 1.7 |
| NEW AUXE177-20-20□□-□□ | 177 | 200 | 200 | 1.9 |
| NEW AUXE177-25-16□□-□□ | 177 | 250 | 160 | 1.9 |
| NEW AUXE177-25-20□□-□□ | 177 | 250 | 200 | 2.2 |
| NEW AUXE177-25-25□□-□□ | 177 | 250 | 250 | 2.5 |
| NEW AUXE177-30-16□□-□□ | 177 | 300 | 160 | 2.2 |
| NEW AUXE177-30-20□□-□□ | 177 | 300 | 200 | 2.4 |
| NEW AUXE177-30-25□□-□□ | 177 | 300 | 250 | 2.8 |
| NEW AUXE177-30-30□□-□□ | 177 | 300 | 300 | 3.1 |
| NEW AUXE177-36-16□□-□□ | 177 | 360 | 160 | 2.5 |
| NEW AUXE177-36-20□□-□□ | 177 | 360 | 200 | 2.8 |
| NEW AUXE177-36-25□□-□□ | 177 | 360 | 250 | 3.1 |
| NEW AUXE177-36-30□□-□□ | 177 | 360 | 300 | 3.5 |
| NEW AUXE177-36-36□□-□□ | 177 | 360 | 360 | 3.9 |
| NEW AUXE177-43-16□□-□□ | 177 | 430 | 160 | 2.9 |
| NEW AUXE177-43-20□□-□□ | 177 | 430 | 200 | 3.2 |
| NEW AUXE177-43-25□□-□□ | 177 | 430 | 250 | 3.6 |
| NEW AUXE177-43-30□□-□□ | 177 | 430 | 300 | 4.0 |
| NEW AUXE177-43-36□□-□□ | 177 | 430 | 360 | 4.5 |
| NEW AUXE177-43-43□□-□□ | 177 | 430 | 430 | 5.0 |
| NEW AUXE177-50-30□□-□□ | 177 | 500 | 300 | 4.4 |
| NEW AUXE177-50-36□□-□□ | 177 | 500 | 360 | 5.0 |
| NEW AUXE177-50-43□□-□□ | 177 | 500 | 430 | 5.6 |
| NEW AUXE177-50-50□□-□□ | 177 | 500 | 500 | 6.2 |
| NEW AUXE177-60-36□□-□□ | 177 | 600 | 360 | 5.7 |
| NEW AUXE177-60-43□□-□□ | 177 | 600 | 430 | 6.4 |



EMC
Shielding
Effects



- Elegantly designed EMC shielded aluminium enclosure with detachable front/rear panels.
- Suitable to be used as an easy maintenance desktop case due to its detachable front/rear panels. Captive screws allow for ease of maintenance as there is little risk of the screws dropping out and getting lost.
- A large selection of 177 different sizes and 2 colors to choose from.
- Suitable for use as measuring instrument, controller, industrial embedded computer, power supply, audio amplifier, and others.



Included screws

- Top / Bottom cover
M3-5 original trapezoid head (plus / hex) & Nickel plated x 8~16 pcs
- Frame / Panel support frame
M3-8 flat head & Nickel plated x 16 pcs
- Rubber feet / Aluminium feet
M4-8 blind head & Black trivalent chromate x 4 pcs
- Panel
Captive M2.5-7 pan head & Nickel plated x 8 ~ 12 pcs

Recommended torque : $\begin{cases} \text{M2.5} : 0.15 \sim 0.2\text{N} \cdot \text{m} \\ \text{M3} / \text{M4} : 0.3 \sim 0.6\text{N} \cdot \text{m} \end{cases}$

* Recommended torque listed is for reference only; actual may differ. Assemble after testing torque.

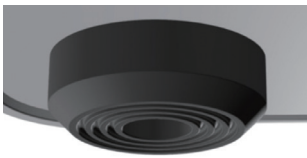
Components

| No. | Part name | Pcs | Material | Color / Finish |
|-----|------------------------------|-----|------------------------------|--|
| 1 | Corner block | 4 | Diecast aluminium ADC12 | Silver • Black / Painted (Unfinished inside) |
| 2 | Frame | 2 | Extruded aluminium A6063S-T5 | Silver / Painted (Unfinished inside) |
| 3 | Panel support frame | 4 | Extruded aluminium A6063S-T5 | Silver / Painted (Unfinished inside) |
| 4 | Panel | 2 | Aluminium A1100P | Silver / Painted (Conductive inside) |
| 5 | Top cover | 1 | Aluminium A1100P | Silver / Painted (Conductive inside) |
| 6 | Bottom cover | 1 | Aluminium A1100P | Silver / Painted (Conductive inside) |
| 7 | Rubber feet : Aluminium feet | 4 | TPE (Elastomer) : Aluminium | Black : Silver / Anodized |
| 8 | EMC shielding gasket | 16 | Conductive fiber UL94V-0 | Metallic gray |

To select Feet, Screw, and Color, follow steps **1** ~ **3** to determine product number.

1 Feet

R Rubber (Black)

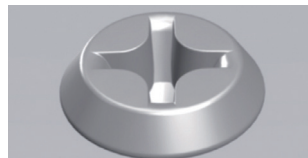


A Aluminium (Silver / Anodized)

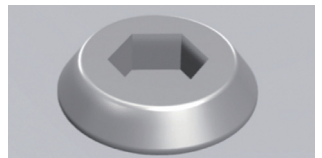


2 Screw

P Plus (Silver / Nickel plated)



H Hex (Silver / Nickel plated)

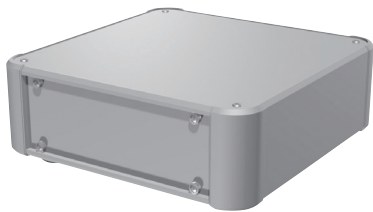


Hex wrench included.

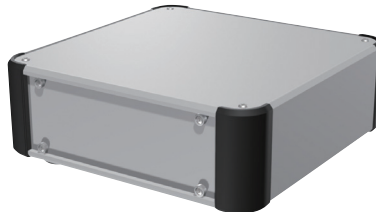
3 Color

Please choose from the color combinations listed below.

S S



S B



Product Number

To determine a product number, fill H-W-D dimensions and select Feet, Screw, and Color code in the following blank boxes.

AUPE

- -

H-W-D dimensions

See page 161~162 for dimensions and product no.

1 Feet **2 Screw**

R or A P or H

3 Color

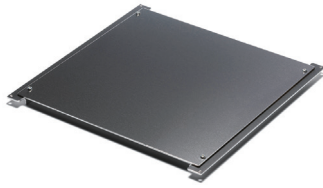
SS or SB

Numbering example :

If looking at "H132.5 x W300 x D200mm, Feet type A, Screw type H, Color type SS"

➔ **AUPE 133-30-20 AH-SS**

Accessories (Optional parts)



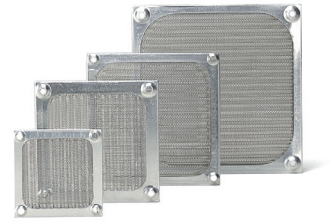
Mounting plate AUC series
See page 179 ~ 180



Elastomer carrying handle FM200
See page FM200 • MH

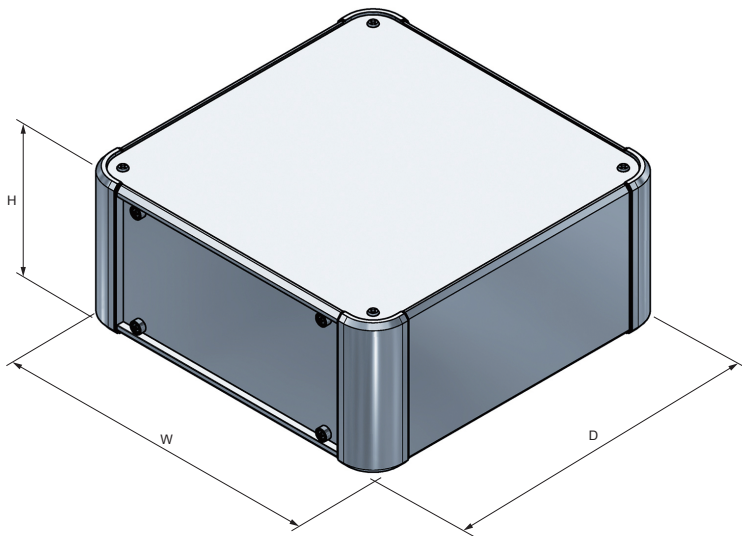


Tilt leg TLW series
See page 222



EMC shielding fan filter EMF series
See page Fan-4

AUPE dimensions



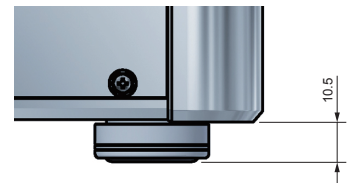
■ DXF/DWG/PDF/STP drawings available on our website.

■ Feet is selectable between rubber or aluminium type.
※Rubber and aluminium feet height are different.

Rubber Feet



Aluminium Feet



Product no. / Details

■ Please suffix color code at the end of the product number.

| Product no. | H | W | D | Weight (kg) |
|-------------------------------|----|-----|-----|-------------|
| AUPE 66-16-16□□-□□ | 66 | 160 | 160 | 0.9 |
| AUPE 66-16-20□□-□□ | 66 | 160 | 200 | 1.0 |
| AUPE 66-16-25□□-□□ | 66 | 160 | 250 | 1.2 |
| AUPE 66-16-30□□-□□ | 66 | 160 | 300 | 1.4 |
| NEW AUPE 66-16-36□□-□□ | 66 | 160 | 360 | 1.5 |
| NEW AUPE 66-16-43□□-□□ | 66 | 160 | 430 | 1.8 |
| AUPE 66-20-16□□-□□ | 66 | 200 | 160 | 1.0 |
| AUPE 66-20-20□□-□□ | 66 | 200 | 200 | 1.2 |
| AUPE 66-20-25□□-□□ | 66 | 200 | 250 | 1.4 |
| AUPE 66-20-30□□-□□ | 66 | 200 | 300 | 1.5 |
| AUPE 66-20-36□□-□□ | 66 | 200 | 360 | 1.8 |
| AUPE 66-20-43□□-□□ | 66 | 200 | 430 | 2.0 |
| AUPE 66-25-16□□-□□ | 66 | 250 | 160 | 1.2 |
| AUPE 66-25-20□□-□□ | 66 | 250 | 200 | 1.4 |
| AUPE 66-25-25□□-□□ | 66 | 250 | 250 | 1.6 |
| AUPE 66-25-30□□-□□ | 66 | 250 | 300 | 1.8 |
| AUPE 66-25-36□□-□□ | 66 | 250 | 360 | 2.0 |
| AUPE 66-25-43□□-□□ | 66 | 250 | 430 | 2.3 |
| AUPE 66-30-16□□-□□ | 66 | 300 | 160 | 1.4 |
| AUPE 66-30-20□□-□□ | 66 | 300 | 200 | 1.6 |
| AUPE 66-30-25□□-□□ | 66 | 300 | 250 | 1.8 |
| AUPE 66-30-30□□-□□ | 66 | 300 | 300 | 2.0 |

| Product no. | H | W | D | Weight (kg) |
|-------------------------------|----|-----|-----|-------------|
| AUPE 66-30-36□□-□□ | 66 | 300 | 360 | 2.3 |
| AUPE 66-30-43□□-□□ | 66 | 300 | 430 | 2.6 |
| AUPE 66-30-50□□-□□ | 66 | 300 | 500 | 3.0 |
| NEW AUPE 66-36-16□□-□□ | 66 | 360 | 160 | 1.6 |
| AUPE 66-36-20□□-□□ | 66 | 360 | 200 | 1.8 |
| AUPE 66-36-25□□-□□ | 66 | 360 | 250 | 2.0 |
| AUPE 66-36-30□□-□□ | 66 | 360 | 300 | 2.3 |
| AUPE 66-36-36□□-□□ | 66 | 360 | 360 | 2.6 |
| AUPE 66-36-43□□-□□ | 66 | 360 | 430 | 3.0 |
| AUPE 66-36-50□□-□□ | 66 | 360 | 500 | 3.4 |
| NEW AUPE 66-43-16□□-□□ | 66 | 430 | 160 | 1.8 |
| AUPE 66-43-20□□-□□ | 66 | 430 | 200 | 2.1 |
| AUPE 66-43-25□□-□□ | 66 | 430 | 250 | 2.4 |
| AUPE 66-43-30□□-□□ | 66 | 430 | 300 | 2.7 |
| AUPE 66-43-36□□-□□ | 66 | 430 | 360 | 3.0 |
| AUPE 66-43-43□□-□□ | 66 | 430 | 430 | 3.4 |
| AUPE 66-43-50□□-□□ | 66 | 430 | 500 | 3.9 |
| AUPE 66-50-30□□-□□ | 66 | 500 | 300 | 3.0 |
| AUPE 66-50-36□□-□□ | 66 | 500 | 360 | 3.4 |
| AUPE 66-50-43□□-□□ | 66 | 500 | 430 | 3.9 |
| AUPE 66-50-50□□-□□ | 66 | 500 | 500 | 4.3 |

Product no. / Details

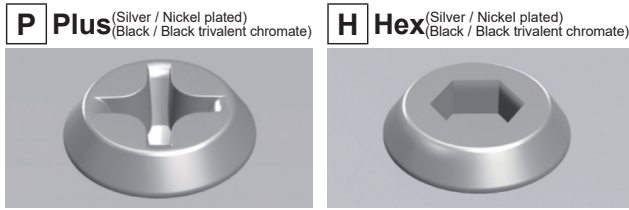
■ Please suffix color code at the end of the product number.

| Product no. | H | W | D | Weight (kg) |
|-------------------------------|-------|-----|-----|-------------|
| AUPE 88-16-16□□-□□ | 88 | 160 | 160 | 1.0 |
| AUPE 88-16-20□□-□□ | 88 | 160 | 200 | 1.2 |
| AUPE 88-16-25□□-□□ | 88 | 160 | 250 | 1.3 |
| AUPE 88-16-30□□-□□ | 88 | 160 | 300 | 1.5 |
| NEW AUPE 88-16-36□□-□□ | 88 | 160 | 360 | 1.7 |
| NEW AUPE 88-16-43□□-□□ | 88 | 160 | 430 | 2.0 |
| AUPE 88-20-16□□-□□ | 88 | 200 | 160 | 1.2 |
| AUPE 88-20-20□□-□□ | 88 | 200 | 200 | 1.3 |
| AUPE 88-20-25□□-□□ | 88 | 200 | 250 | 1.5 |
| AUPE 88-20-30□□-□□ | 88 | 200 | 300 | 1.7 |
| AUPE 88-20-36□□-□□ | 88 | 200 | 360 | 1.9 |
| AUPE 88-20-43□□-□□ | 88 | 200 | 430 | 2.2 |
| AUPE 88-25-16□□-□□ | 88 | 250 | 160 | 1.3 |
| AUPE 88-25-20□□-□□ | 88 | 250 | 200 | 1.5 |
| AUPE 88-25-25□□-□□ | 88 | 250 | 250 | 1.7 |
| AUPE 88-25-30□□-□□ | 88 | 250 | 300 | 1.9 |
| AUPE 88-25-36□□-□□ | 88 | 250 | 360 | 2.2 |
| AUPE 88-25-43□□-□□ | 88 | 250 | 430 | 2.5 |
| AUPE 88-30-16□□-□□ | 88 | 300 | 160 | 1.5 |
| AUPE 88-30-20□□-□□ | 88 | 300 | 200 | 1.7 |
| AUPE 88-30-25□□-□□ | 88 | 300 | 250 | 1.9 |
| AUPE 88-30-30□□-□□ | 88 | 300 | 300 | 2.2 |
| AUPE 88-30-36□□-□□ | 88 | 300 | 360 | 2.5 |
| AUPE 88-30-43□□-□□ | 88 | 300 | 430 | 2.9 |
| AUPE 88-30-50□□-□□ | 88 | 300 | 500 | 3.2 |
| NEW AUPE 88-36-16□□-□□ | 88 | 360 | 160 | 1.7 |
| AUPE 88-36-20□□-□□ | 88 | 360 | 200 | 1.9 |
| AUPE 88-36-25□□-□□ | 88 | 360 | 250 | 2.2 |
| AUPE 88-36-30□□-□□ | 88 | 360 | 300 | 2.5 |
| AUPE 88-36-36□□-□□ | 88 | 360 | 360 | 2.8 |
| AUPE 88-36-43□□-□□ | 88 | 360 | 430 | 3.2 |
| AUPE 88-36-50□□-□□ | 88 | 360 | 500 | 3.6 |
| NEW AUPE 88-43-16□□-□□ | 88 | 430 | 160 | 2.0 |
| AUPE 88-43-20□□-□□ | 88 | 430 | 200 | 2.2 |
| AUPE 88-43-25□□-□□ | 88 | 430 | 250 | 2.6 |
| AUPE 88-43-30□□-□□ | 88 | 430 | 300 | 2.9 |
| AUPE 88-43-36□□-□□ | 88 | 430 | 360 | 3.3 |
| AUPE 88-43-43□□-□□ | 88 | 430 | 430 | 3.7 |
| AUPE 88-43-50□□-□□ | 88 | 430 | 500 | 4.1 |
| AUPE 88-50-30□□-□□ | 88 | 500 | 300 | 3.2 |
| AUPE 88-50-36□□-□□ | 88 | 500 | 360 | 3.6 |
| AUPE 88-50-43□□-□□ | 88 | 500 | 430 | 4.1 |
| AUPE 88-50-50□□-□□ | 88 | 500 | 500 | 4.6 |
| AUPE133-16-16□□-□□ | 132.5 | 160 | 160 | 1.3 |
| AUPE133-16-20□□-□□ | 132.5 | 160 | 200 | 1.4 |
| AUPE133-16-25□□-□□ | 132.5 | 160 | 250 | 1.7 |
| AUPE133-16-30□□-□□ | 132.5 | 160 | 300 | 1.9 |
| NEW AUPE133-16-36□□-□□ | 132.5 | 160 | 360 | 2.1 |
| NEW AUPE133-16-43□□-□□ | 132.5 | 160 | 430 | 2.5 |
| AUPE133-20-16□□-□□ | 132.5 | 200 | 160 | 1.4 |
| AUPE133-20-20□□-□□ | 132.5 | 200 | 200 | 1.6 |
| AUPE133-20-25□□-□□ | 132.5 | 200 | 250 | 1.9 |
| AUPE133-20-30□□-□□ | 132.5 | 200 | 300 | 2.1 |
| AUPE133-20-36□□-□□ | 132.5 | 200 | 360 | 2.4 |
| AUPE133-20-43□□-□□ | 132.5 | 200 | 430 | 2.7 |
| AUPE133-25-16□□-□□ | 132.5 | 250 | 160 | 1.6 |
| AUPE133-25-20□□-□□ | 132.5 | 250 | 200 | 1.8 |
| AUPE133-25-25□□-□□ | 132.5 | 250 | 250 | 2.1 |
| AUPE133-25-30□□-□□ | 132.5 | 250 | 300 | 2.4 |
| AUPE133-25-36□□-□□ | 132.5 | 250 | 360 | 2.7 |
| AUPE133-25-43□□-□□ | 132.5 | 250 | 430 | 3.1 |
| AUPE133-30-16□□-□□ | 132.5 | 300 | 160 | 1.8 |
| AUPE133-30-20□□-□□ | 132.5 | 300 | 200 | 2.1 |
| AUPE133-30-25□□-□□ | 132.5 | 300 | 250 | 2.3 |
| AUPE133-30-30□□-□□ | 132.5 | 300 | 300 | 2.6 |
| AUPE133-30-36□□-□□ | 132.5 | 300 | 360 | 3.0 |
| AUPE133-30-43□□-□□ | 132.5 | 300 | 430 | 3.4 |
| AUPE133-30-50□□-□□ | 132.5 | 300 | 500 | 3.8 |
| NEW AUPE133-36-16□□-□□ | 132.5 | 360 | 160 | 2.3 |
| NEW AUPE133-36-20□□-□□ | 132.5 | 360 | 200 | 2.6 |
| NEW AUPE133-36-25□□-□□ | 132.5 | 360 | 250 | 3.0 |
| NEW AUPE133-36-30□□-□□ | 132.5 | 360 | 300 | 3.3 |
| NEW AUPE133-36-36□□-□□ | 132.5 | 360 | 360 | 3.8 |
| NEW AUPE133-36-43□□-□□ | 132.5 | 360 | 430 | 4.3 |
| NEW AUPE133-36-50□□-□□ | 132.5 | 360 | 500 | 4.8 |
| NEW AUPE133-43-16□□-□□ | 132.5 | 430 | 160 | 2.7 |
| NEW AUPE133-43-20□□-□□ | 132.5 | 430 | 200 | 3.0 |
| NEW AUPE133-43-25□□-□□ | 132.5 | 430 | 250 | 3.4 |
| NEW AUPE133-43-30□□-□□ | 132.5 | 430 | 300 | 3.8 |
| NEW AUPE133-43-36□□-□□ | 132.5 | 430 | 360 | 4.2 |
| NEW AUPE133-43-43□□-□□ | 132.5 | 430 | 430 | 4.8 |
| NEW AUPE133-43-50□□-□□ | 132.5 | 430 | 500 | 5.4 |
| NEW AUPE133-50-30□□-□□ | 132.5 | 500 | 300 | 4.2 |
| NEW AUPE133-50-36□□-□□ | 132.5 | 500 | 360 | 4.7 |
| NEW AUPE133-50-43□□-□□ | 132.5 | 500 | 430 | 5.3 |
| NEW AUPE133-50-50□□-□□ | 132.5 | 500 | 500 | 5.9 |

| Product no. | H | W | D | Weight (kg) |
|-------------------------------|-------|-----|-----|-------------|
| AUPE133-30-36□□-□□ | 132.5 | 300 | 360 | 3.0 |
| AUPE133-30-43□□-□□ | 132.5 | 300 | 430 | 3.4 |
| AUPE133-30-50□□-□□ | 132.5 | 300 | 500 | 3.8 |
| NEW AUPE133-36-16□□-□□ | 132.5 | 360 | 160 | 2.1 |
| AUPE133-36-20□□-□□ | 132.5 | 360 | 200 | 2.3 |
| AUPE133-36-25□□-□□ | 132.5 | 360 | 250 | 2.6 |
| AUPE133-36-30□□-□□ | 132.5 | 360 | 300 | 3.0 |
| AUPE133-36-36□□-□□ | 132.5 | 360 | 360 | 3.4 |
| AUPE133-36-43□□-□□ | 132.5 | 360 | 430 | 3.8 |
| AUPE133-36-50□□-□□ | 132.5 | 360 | 500 | 4.3 |
| NEW AUPE133-43-16□□-□□ | 132.5 | 430 | 160 | 2.4 |
| AUPE133-43-20□□-□□ | 132.5 | 430 | 200 | 2.7 |
| AUPE133-43-25□□-□□ | 132.5 | 430 | 250 | 3.0 |
| AUPE133-43-30□□-□□ | 132.5 | 430 | 300 | 3.4 |
| AUPE133-43-36□□-□□ | 132.5 | 430 | 360 | 3.8 |
| AUPE133-43-43□□-□□ | 132.5 | 430 | 430 | 4.3 |
| AUPE133-43-50□□-□□ | 132.5 | 430 | 500 | 4.8 |
| AUPE133-50-30□□-□□ | 132.5 | 500 | 300 | 3.8 |
| AUPE133-50-36□□-□□ | 132.5 | 500 | 360 | 4.2 |
| AUPE133-50-43□□-□□ | 132.5 | 500 | 430 | 4.8 |
| AUPE133-50-50□□-□□ | 132.5 | 500 | 500 | 5.4 |
| NEW AUPE177-16-16□□-□□ | 177 | 160 | 160 | 1.4 |
| NEW AUPE177-16-20□□-□□ | 177 | 160 | 200 | 1.6 |
| NEW AUPE177-16-25□□-□□ | 177 | 160 | 250 | 1.9 |
| NEW AUPE177-16-30□□-□□ | 177 | 160 | 300 | 2.1 |
| NEW AUPE177-16-36□□-□□ | 177 | 160 | 360 | 2.4 |
| NEW AUPE177-16-43□□-□□ | 177 | 160 | 430 | 2.8 |
| NEW AUPE177-20-16□□-□□ | 177 | 200 | 160 | 1.6 |
| NEW AUPE177-20-20□□-□□ | 177 | 200 | 200 | 1.8 |
| NEW AUPE177-20-25□□-□□ | 177 | 200 | 250 | 2.1 |
| NEW AUPE177-20-30□□-□□ | 177 | 200 | 300 | 2.4 |
| NEW AUPE177-20-36□□-□□ | 177 | 200 | 360 | 2.7 |
| NEW AUPE177-20-43□□-□□ | 177 | 200 | 430 | 3.1 |
| NEW AUPE177-25-16□□-□□ | 177 | 250 | 160 | 1.8 |
| NEW AUPE177-25-20□□-□□ | 177 | 250 | 200 | 2.1 |
| NEW AUPE177-25-25□□-□□ | 177 | 250 | 250 | 2.4 |
| NEW AUPE177-25-30□□-□□ | 177 | 250 | 300 | 2.7 |
| NEW AUPE177-25-36□□-□□ | 177 | 250 | 360 | 3.0 |
| NEW AUPE177-25-43□□-□□ | 177 | 250 | 430 | 3.5 |
| NEW AUPE177-30-16□□-□□ | 177 | 300 | 160 | 2.0 |
| NEW AUPE177-30-20□□-□□ | 177 | 300 | 200 | 2.3 |
| NEW AUPE177-30-25□□-□□ | 177 | 300 | 250 | 2.6 |
| NEW AUPE177-30-30□□-□□ | 177 | 300 | 300 | 3.0 |
| NEW AUPE177-30-36□□-□□ | 177 | 300 | 360 | 3.4 |
| NEW AUPE177-30-43□□-□□ | 177 | 300 | 430 | 3.8 |
| NEW AUPE177-30-50□□-□□ | 177 | 300 | 500 | 4.3 |
| NEW AUPE177-36-16□□-□□ | 177 | 360 | 160 | 2.3 |
| NEW AUPE177-36-20□□-□□ | 177 | 360 | 200 | 2.6 |
| NEW AUPE177-36-25□□-□□ | 177 | 360 | 250 | 3.0 |
| NEW AUPE177-36-30□□-□□ | 177 | 360 | 300 | 3.3 |
| NEW AUPE177-36-36□□-□□ | 177 | 360 | 360 | 3.8 |
| NEW AUPE177-36-43□□-□□ | 177 | 360 | 430 | 4.3 |
| NEW AUPE177-36-50□□-□□ | 177 | 360 | 500 | 4.8 |
| NEW AUPE177-43-16□□-□□ | 177 | 430 | 160 | 2.7 |
| NEW AUPE177-43-20□□-□□ | 177 | 430 | 200 | 3.0 |
| NEW AUPE177-43-25□□-□□ | 177 | 430 | 250 | 3.4 |
| NEW AUPE177-43-30□□-□□ | 177 | 430 | 300 | 3.8 |
| NEW AUPE177-43-36□□-□□ | 177 | 430 | 360 | 4.2 |
| NEW AUPE177-43-43□□-□□ | 177 | 430 | 430 | 4.8 |
| NEW AUPE177-43-50□□-□□ | 177 | 430 | 500 | 5.4 |
| NEW AUPE177-50-30□□-□□ | 177 | 500 | 300 | 4.2 |
| NEW AUPE177-50-36□□-□□ | 177 | 500 | 360 | 4.7 |
| NEW AUPE177-50-43□□-□□ | 177 | 500 | 430 | 5.3 |
| NEW AUPE177-50-50□□-□□ | 177 | 500 | 500 | 5.9 |

To select Screw and Color, follow steps **1** ~ **2** below to determine product number.

1 Screw

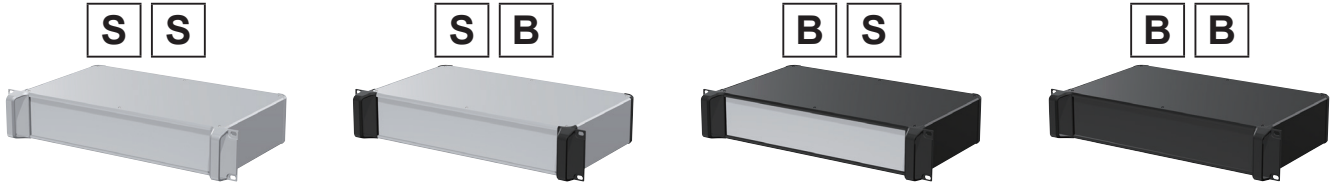


*Color of screw will be the same as top • bottom cover color.

Hex wrench included.

2 Color

Please choose from the color combinations listed below.



Product Number

To determine a product number, fill H-W-D dimensions and select Screw and Color code in the following blank boxes.

AUR - - -

H-W-D dimensions **Screw** **Color**

See below for dimensions / product no. (P or H) (SS • SB • BS • BB)

Numbering example : If looking at "H88 x W430 x D250mm, Screw type H, Color type BS"

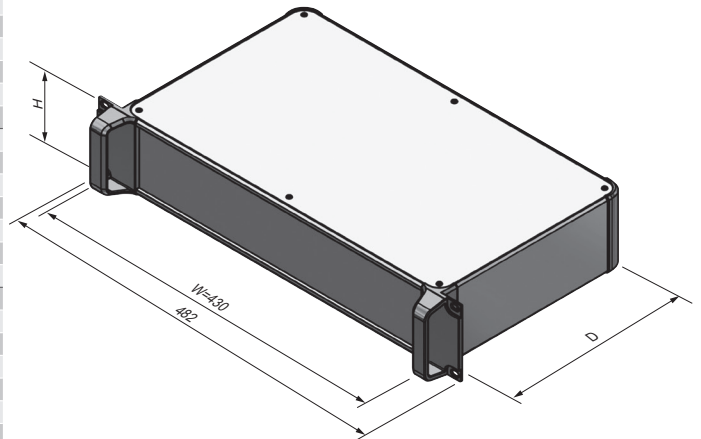
➔ **AUR 88-43-25 H-BS**

Product no. / Details ■ Please suffix screw and color code at the end of the product number.

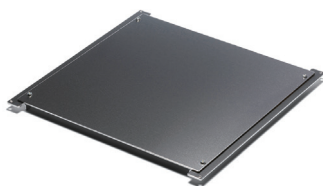
| Product no. | H | W | D | Weight (kg) |
|------------------|-------|-----|-----|-------------|
| AUR 44-43-16□-□□ | 44 | 430 | 160 | 1.5 |
| AUR 44-43-20□-□□ | 44 | 430 | 200 | 1.8 |
| AUR 44-43-25□-□□ | 44 | 430 | 250 | 2.0 |
| AUR 44-43-30□-□□ | 44 | 430 | 300 | 2.3 |
| AUR 44-43-36□-□□ | 44 | 430 | 360 | 2.7 |
| AUR 44-43-43□-□□ | 44 | 430 | 430 | 3.1 |
| AUR 44-43-50□-□□ | 44 | 430 | 500 | 3.5 |
| AUR 88-43-16□-□□ | 88 | 430 | 160 | 1.9 |
| AUR 88-43-20□-□□ | 88 | 430 | 200 | 2.1 |
| AUR 88-43-25□-□□ | 88 | 430 | 250 | 2.5 |
| AUR 88-43-30□-□□ | 88 | 430 | 300 | 2.8 |
| AUR 88-43-36□-□□ | 88 | 430 | 360 | 3.2 |
| AUR 88-43-43□-□□ | 88 | 430 | 430 | 3.6 |
| AUR 88-43-50□-□□ | 88 | 430 | 500 | 4.1 |
| AUR133-43-16□-□□ | 132.5 | 430 | 160 | 2.3 |
| AUR133-43-20□-□□ | 132.5 | 430 | 200 | 2.6 |
| AUR133-43-25□-□□ | 132.5 | 430 | 250 | 2.9 |
| AUR133-43-30□-□□ | 132.5 | 430 | 300 | 3.3 |
| AUR133-43-36□-□□ | 132.5 | 430 | 360 | 3.7 |
| AUR133-43-43□-□□ | 132.5 | 430 | 430 | 4.2 |
| AUR133-43-50□-□□ | 132.5 | 430 | 500 | 4.7 |
| AUR177-43-16□-□□ | 177 | 430 | 160 | 2.6 |
| AUR177-43-20□-□□ | 177 | 430 | 200 | 2.9 |
| AUR177-43-25□-□□ | 177 | 430 | 250 | 3.3 |
| AUR177-43-30□-□□ | 177 | 430 | 300 | 3.7 |
| AUR177-43-36□-□□ | 177 | 430 | 360 | 4.2 |
| AUR177-43-43□-□□ | 177 | 430 | 430 | 4.7 |
| AUR177-43-50□-□□ | 177 | 430 | 500 | 5.3 |

AUR dimensions

■ DXF/DWG/PDF/STP drawings available on our website.



Accessories (Optional parts)



Mounting plate AUC series
See page 179 ~ 180



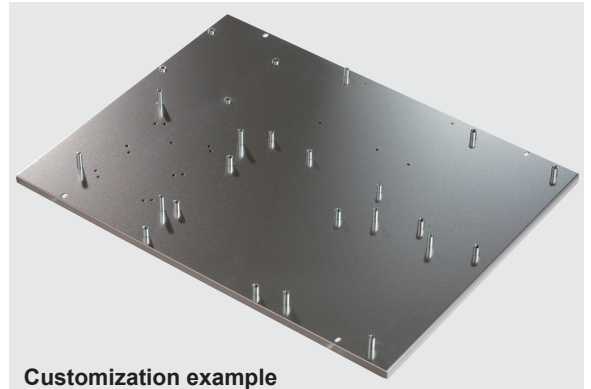
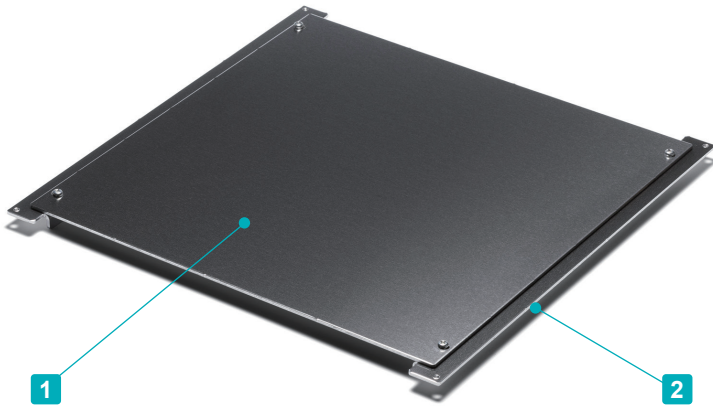
Rack mounting screw RT series
See page RT • RZ • RW



Rack mounting screw RZ series
See page RT • RZ • RW

AUC series

MOUNTING PLATE for AU□ series



Customization example

■ See page CUSTOM-9 ~ CUSTOM-11 and our website for further details.

■ Mounting plate for AUH, AUR, AUPR, AUPRE, AUXR, AUXRE, AUGH, AUG, AUG, AU, AUP, AUPE, AUX, and AUXE series.

Components

| No. | Part name | Pcs | Material | Finish |
|-----|----------------|-----|------------------------|------------|
| 1 | Mounting plate | 1 | Aluminium A1050P t=2.0 | Unfinished |
| 2 | L-bracket | 2 | Aluminium A1050P t=2.0 | Unfinished |

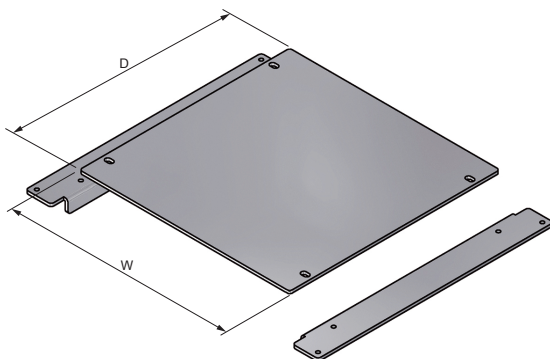
Included screw :

- Corner block M3 flat head : Nickel plated x 4
- Mounting plate M3-5 pan head : Trivalent chromate x 4

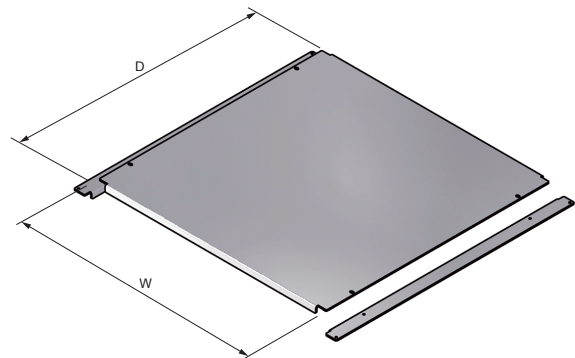
■ DXF/DWG/PDF drawings available on our website.

AUC dimensions

Non-reinforced (N) type



Reinforced (Y) type



Product no. / Details

| Product no. | W | D | Enclosure W x D | Reinforcement | Weight (g) | Product no. | W | D | Enclosure W x D | Reinforcement | Weight (g) |
|--------------|-----|-----|-----------------|---------------|------------|--------------|-----|-----|-----------------|---------------|------------|
| AUC16-16 | 108 | 108 | 160×160 | N | 102 | AUC30-43 | 248 | 378 | 300×430 | N | 626 |
| AUC16-20 | 108 | 148 | 160×200 | N | 138 | AUC30-50 | 248 | 448 | 300×500 | N | 741 |
| AUC16-25 | 108 | 198 | 160×250 | N | 181 | NEW AUC36-16 | 308 | 108 | 360×160 | N | 219 |
| AUC16-30 | 108 | 248 | 160×300 | N | 226 | AUC36-20 | 308 | 148 | 360×200 | N | 297 |
| NEW AUC16-36 | 108 | 308 | 160×360 | N | 279 | AUC36-25 | 308 | 198 | 360×250 | N | 395 |
| NEW AUC16-43 | 108 | 378 | 160×430 | N | 340 | AUC36-30 | 308 | 248 | 360×300 | N | 494 |
| AUC20-16 | 148 | 108 | 200×160 | N | 126 | AUC36-36 | 308 | 308 | 360×360 | N | 581 |
| AUC20-20 | 148 | 148 | 200×200 | N | 170 | AUC36-43 | 308 | 378 | 360×430 | N | 749 |
| AUC20-25 | 148 | 198 | 200×250 | N | 224 | AUC36-50 | 308 | 448 | 360×500 | N | 886 |
| AUC20-30 | 148 | 248 | 200×300 | N | 279 | NEW AUC43-16 | 378 | 108 | 430×160 | Y | 287 |
| AUC20-36 | 148 | 308 | 200×360 | N | 345 | AUC43-20 | 378 | 148 | 430×200 | Y | 353 |
| AUC20-43 | 148 | 378 | 200×430 | N | 422 | AUC43-25 | 378 | 198 | 430×250 | Y | 470 |
| AUC25-16 | 198 | 108 | 250×160 | N | 155 | AUC43-30 | 378 | 248 | 430×300 | Y | 587 |
| AUC25-20 | 198 | 148 | 250×200 | N | 210 | AUC43-36 | 378 | 308 | 430×360 | Y | 728 |
| AUC25-25 | 198 | 198 | 250×250 | N | 278 | AUC43-43 | 378 | 378 | 430×430 | Y | 918 |
| AUC25-30 | 198 | 248 | 250×300 | N | 346 | AUC43-50 | 378 | 448 | 430×500 | Y | 1,082 |
| AUC25-36 | 198 | 308 | 250×360 | N | 428 | AUC50-30 | 448 | 248 | 500×300 | Y | 681 |
| AUC25-43 | 198 | 378 | 250×430 | N | 524 | AUC50-36 | 448 | 308 | 500×360 | Y | 814 |
| AUC30-16 | 248 | 108 | 300×160 | N | 184 | AUC50-43 | 448 | 378 | 500×430 | Y | 1,061 |
| AUC30-20 | 248 | 148 | 300×200 | N | 249 | AUC50-50 | 448 | 448 | 500×500 | Y | 1,257 |
| AUC30-25 | 248 | 198 | 300×250 | N | 331 | AUC60-36 | 548 | 308 | 600×360 | Y | 1,021 |
| AUC30-30 | 248 | 248 | 300×300 | N | 413 | AUC60-43 | 548 | 378 | 600×430 | Y | 1,279 |
| AUC30-36 | 248 | 308 | 300×360 | N | 512 | | | | | | |

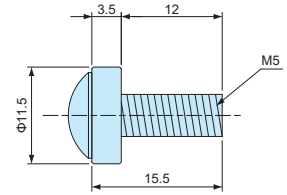
RT·RZ series

RACK MOUNTING SCREW

RT



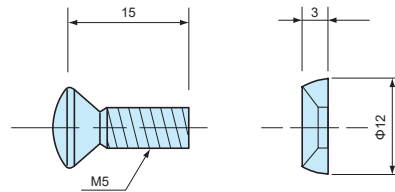
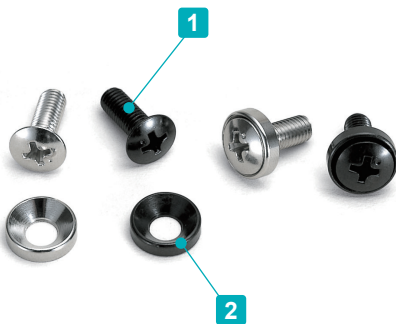
■ Easy installation by built-in washer.



Product no. / Details

| Product no. | Material | Finish | Pack of |
|-------------|----------|--------------------------|---------|
| RT-5S | Steel | Nickel plated | 20 |
| RT-5B | Steel | Black trivalent chromate | 20 |

RZ



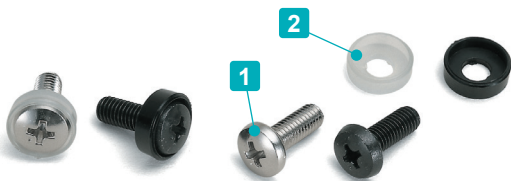
Product no. / Details

1 Round countersunk screw + 2 Decorative washer

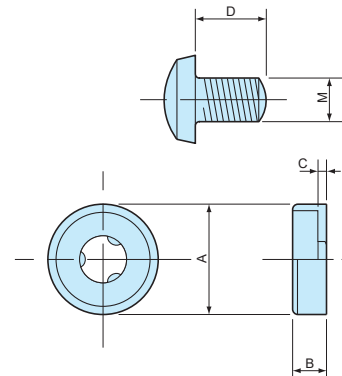
| Product no. | Material | Color / Finish | Pack of |
|-------------|--------------|----------------------------|---------|
| RZ-5S | Brass | Silver / Nickel plated | 20 |
| | Steel screw | Black / Trivalent chromate | |
| RZ-5B | Brass washer | Semi-gloss black / Painted | 20 |
| | | | |

RW series

RACK MOUNTING SCREW with NYLON WASHER



- Nylon washer can protect panel surface when mounting and give anti-loosening effect.
- Black color washer give aesthetical look on panel surface.
- Natural color washer could be faded under long time use.



Components

| No. | Part name | Material | Color / Finish |
|-----|--------------|----------|--|
| 1 | Bind screw | Steel | Nickel plated • Black trivalent chromate |
| 2 | Nylon washer | Nylon | Black • Natural |

Product no. / Details

| Product no. | A | B | C | D | M | Screw | Washer | Pack of |
|-------------|-----|-----|-----|----|---|--------------------------|---------|---------|
| RW-3B | 7.8 | 2.5 | 1.0 | 6 | 3 | Black trivalent chromate | Black | 20 |
| RW-4B | 9.8 | 3.3 | 1.1 | 8 | 4 | Black trivalent chromate | Black | 20 |
| RW-5B | 12 | 4.0 | 1.3 | 14 | 5 | Black trivalent chromate | Black | 20 |
| RW-5S | 12 | 4.0 | 1.3 | 14 | 5 | Nickel plated | Natural | 20 |