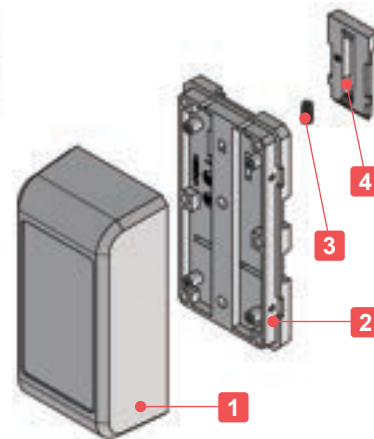




Technical Data
Operating temperature : -20°C ~ +60°C

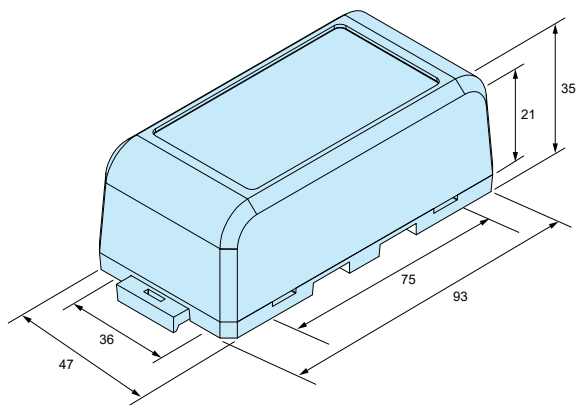


- Plastic enclosure with mount bracket for 35mm DIN-rail.
- Toolless snap-in structure allows for quick and easy assembly.
- Simple installation and removal on a DIN-rail with the pull lever.
- Suitable for network module, controller, data logger and others.

**Components**

No.	Part name	Pcs	Materials	Color / Finish
1	Cover	1	PC/ABS (UL94V-0)	Off-white
2	Base	1	PC/ABS (UL94V-0)	Off-white
3	Compression spring	1	SUS304	Unfinished
4	Lever	1	PC/ABS (UL94V-0)	Off-white

**DRC dimensions**



■ DXF/DWG/PDF/STP drawings available on our website.

**APPLICATION EXAMPLE**



Network Module



Controller

**Product no. / Details**

Product no.	Weight (g)
DRC5-4-9W	51.6

**Accessories (Optional parts)** ■ See website for further details.



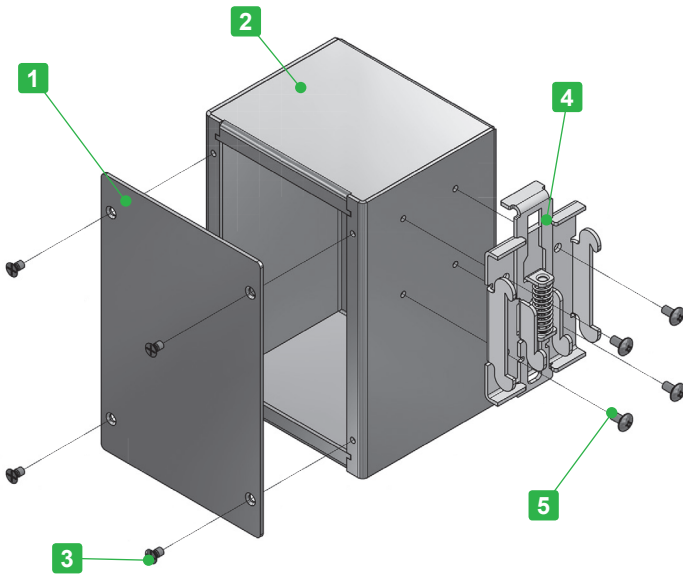
DIN RAIL - FDR series  
See page FDR-1 ~ FDR-2



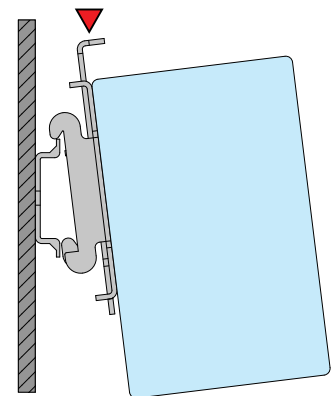
ECONOMICAL DIN-RAIL  
END STOPPER - DRS series  
See page TKR • DRS



Technical Data
Max load : 3kg



- Aluminium enclosure with mount bracket for 35mm DIN-rail.
  - Available in 6 different sizes.
  - Conductive finish on internal surface for conductivity and grounding.
  - Easy maintenance with detachable cover.
- Press the lever (denoted with a red sign below) when mounting / unmounting onto a DIN rail.



**Components**

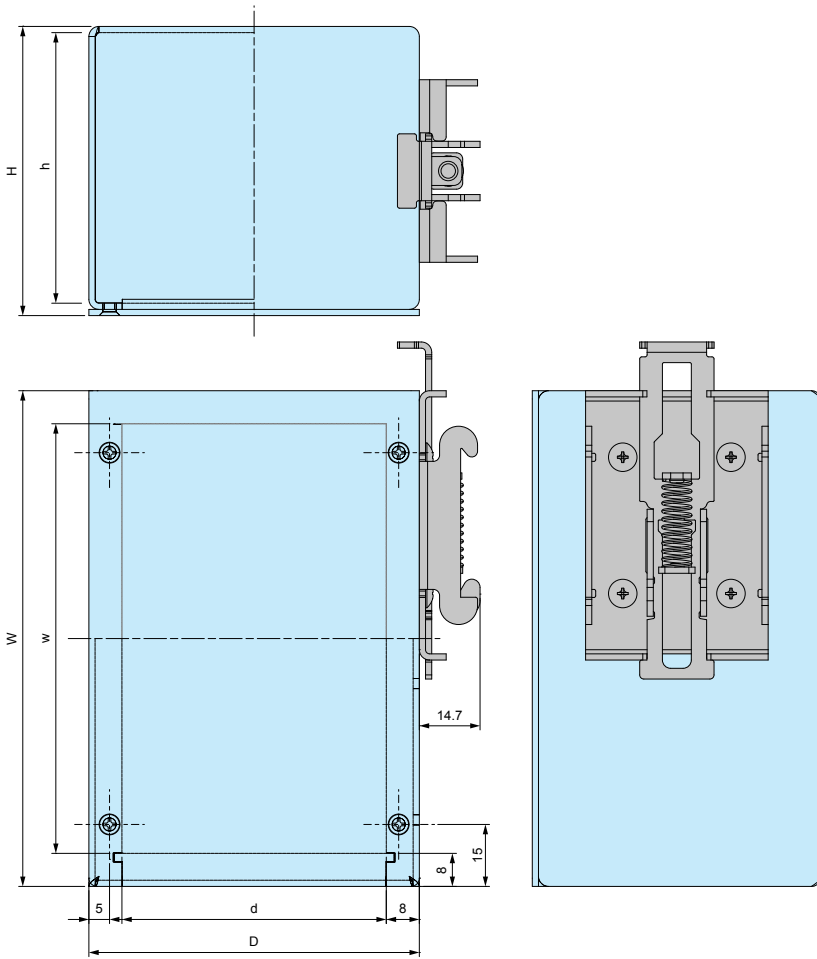
No.	Part name	Pcs	Material	Color / Finish
1	Cover	1	Aluminium A1100P t = 1.5	Metallic silver / Painted (Conductive inside)
2	Base	1	Aluminium A1100P t = 1.5	Metallic silver / Painted (Conductive inside)
3	Screw (M3-5 flat head)	4	Steel	Nickel plated
4	DIN-rail mount bracket	1	Plated steel	Zinc plated
5	Screw (M3-5 pan head)	4	Steel	Trivalent chromate

■ Cover and Base are covered with a protective film on one side.

**DRB dimensions**

■ DXF/DWG/PDF drawings available on our website.

APPLICATION EXAMPLE



Power supply unit



Communication device

**Product no. / Details**

Product no.	External dimensions			Internal dimensions			Weight (g)
	W	H	D	w	h	d	
DRB12- 5- 8	120	50	80	104	45.5	64	220.5
DRB12- 7- 8	120	70	80	104	65.5	64	253
DRB12-10- 8	120	100	80	104	95.5	64	301
DRB15- 5-10	150	50	100	134	45.5	84	285.5
DRB15- 7-10	150	70	100	134	65.5	84	326
DRB15-10-10	150	100	100	134	95.5	84	386.5

**Accessories (Optional parts)**



DIN rail FDR series  
See page FDR-1



Adhesive standoff AST series  
See page 121

**AST** series

**INSERT NUT ADHESIVE STANDOFF**

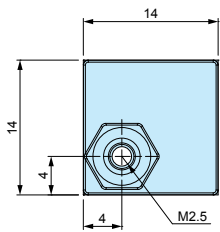


- Double-sided adhesive tape allows the standoff to be mounted quickly and easily; allows PCB mounting in non-boss enclosures.
- Convenient for installing PCBs into enclosures without the need for customization.
- Please ensure that surface is cleaned and grease-free before adhering.
- Once removed, it cannot be adhered on again.

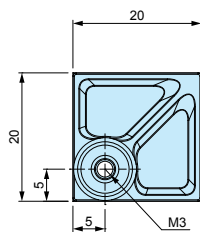
**AST dimensions**

■ DXF/DWG/PDF/STP drawings available on our website.

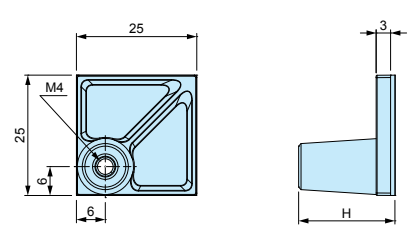
AST2.5-□



AST3-□



AST4-□



**Product no. / Dimensions**

**Bulk package**

Product no	H dimension	Included screw	Recommended PCB Thickness (mm)	Recommended torque (N · m)	Weight (g)	Pack of	Product no	Pack of
AST2.5-5B	5	M2.5-5 pan head	1.0 ~ 2.0	0.3	0.6 (1 piece)	4	AST2.5-5B-P	100
AST2.5-10B	10	M2.5-5 pan head	1.0 ~ 2.0	0.3	0.8 (1 piece)	4	AST2.5-10B-P	100
AST3-6B	6	M3-6 pan head	1.0 ~ 3.0	0.4	1.5 (1 piece)	4	AST3-6B-P	100
AST3-10B	10	M3-6 pan head	1.0 ~ 3.0	0.4	1.6 (1 piece)	4	AST3-10B-P	100
AST3-15B	15	M3-6 pan head	1.0 ~ 3.0	0.4	1.8 (1 piece)	4	AST3-15B-P	100
AST3-20B	20	M3-6 pan head	1.0 ~ 3.0	0.4	2.1 (1 piece)	4	AST3-20B-P	100
AST4-10.5B	10.5	M4-8 pan head	1.0 ~ 3.5	0.8	2.6 (1 piece)	4	AST4-10.5B-P	50
AST4-20B	20	M4-8 pan head	1.0 ~ 3.5	0.8	3.2 (1 piece)	4	AST4-20B-P	50

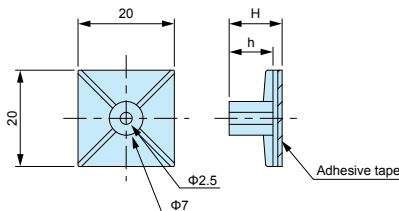
- Base material / color : Nylon 66 (UL94V-2) / Black
- Nut + screw material / finish : Steel / Trivalent chromate

- Bulk packaging is available. See "Bulk package" column above.
- Screws are not included for bulk packages.

**ASR** series

**ADHESIVE PCB STANDOFF**

**ASR dimensions**



■ DXF/DWG/PDF drawings available on our website.

Technical Data
Recommended torque : 0.4N · m

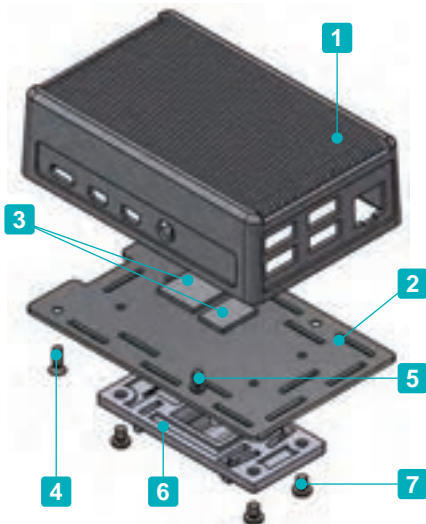
- M3 tapping screw use adhesive standoff. Recommended to be used with EM-3 or EM-3-6 self-tapping screws (See page 123).
- Please ensure that surface is cleaned and grease-free before adhering.
- Once removed, it cannot be adhered on again.

**Product no. / Dimensions**

Product no	H	h	Weight (g)	Pack of
ASR- 5	5.1	3.1	0.9 (1 piece)	10
ASR- 6	6.4	4.4	1.0 (1 piece)	10
ASR- 7	7.2	5.1	0.9 (1 piece)	10
ASR- 8	8.1	6.3	0.9 (1 piece)	10
ASR- 9	9	7	1.0 (1 piece)	10
ASR-11	11	9	1.0 (1 piece)	10
ASR-13	12.7	10.7	1.2 (1 piece)	10
ASR-14.5	14.7	12.8	1.1 (1 piece)	10
ASR-16	15.9	13.9	1.3 (1 piece)	10
ASR-19	19.1	17.1	1.4 (1 piece)	10



Heat Resistant



Heat Dissipation

Normal



- DIN rail mount heat-sink case exclusively for use with the Raspberry Pi 4B. Equipped with highly efficient heat-sink top cover.
- Constructed using diecast aluminium for strength and rigidity.
- 2 different Heat dissipation and Normal are available.

■ Raspberry Pi board is not included.

**Technical Data**

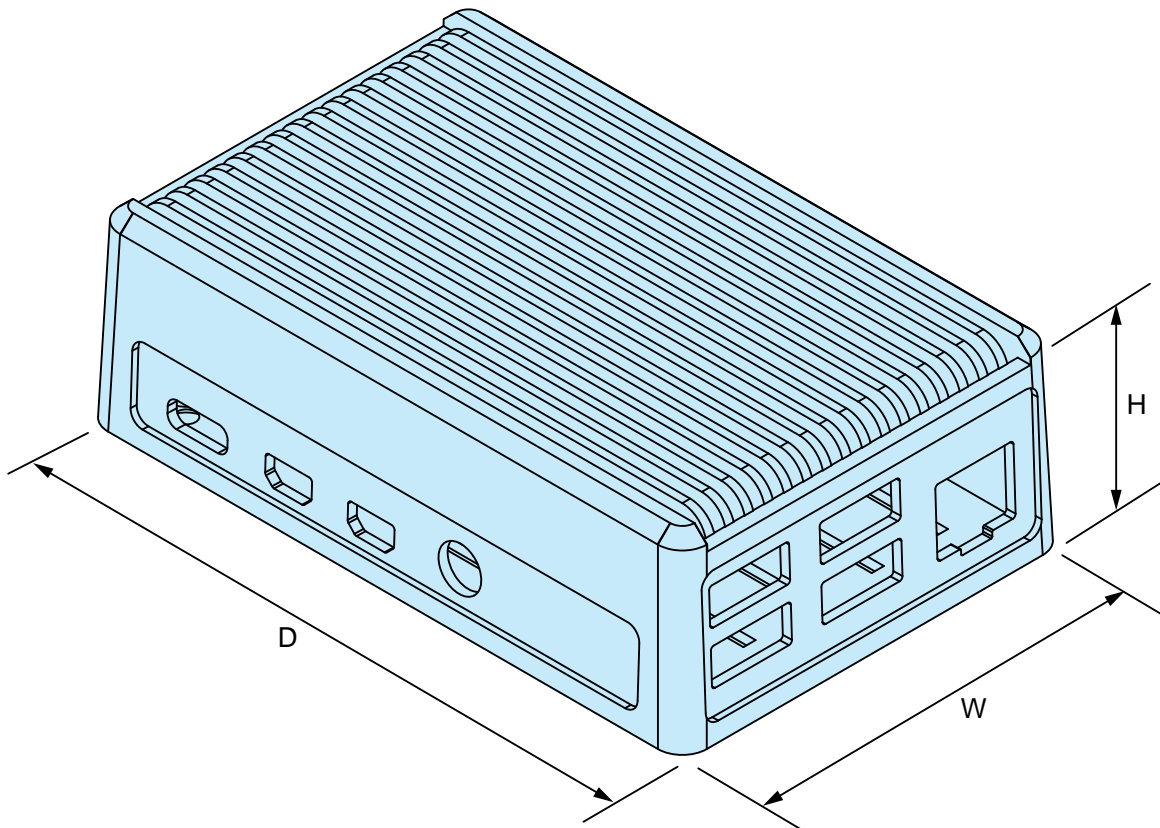
Max load : 300g  
 Operating Temperature : -20°C ~ +80°C

**Components**

No.	Part name	Pcs	Material	Color / Finish
1	Top cover	1	Diecast aluminium ADC12	Silver / Powder coated
2	Base	1	Aluminium A1100P t=1.5	Metallic silver / Painted (Conductive inside)
3	Thermal conductive sheet (H type only)	2	Silicone polymer + Ceramic composite	Gray
4	Screw (M2.5-10 flat head)	2	Steel	Trivalent chromate
5	Screw for Board (M2.5-4 pan head)	2	Steel	Trivalent chromate
6	Din-rail mounting base	1	PC • ABS UL94V-0	Light gray
7	Screw for Din-rail mounting base (M3-3 pan head)	4	Steel	Trivalent chromate

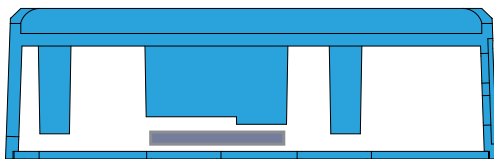
RPHD dimensions

■ DXF/DWG/PDF/STP drawings available on our website.



■ 2 different Heat Dissipation and Normal are available.

RPHD-4B-H (Heat dissipation)



RPHD-4B-N (Normal)



Product no. / Dimensions

\*Din-rail mounting base height is not included in H dimension.

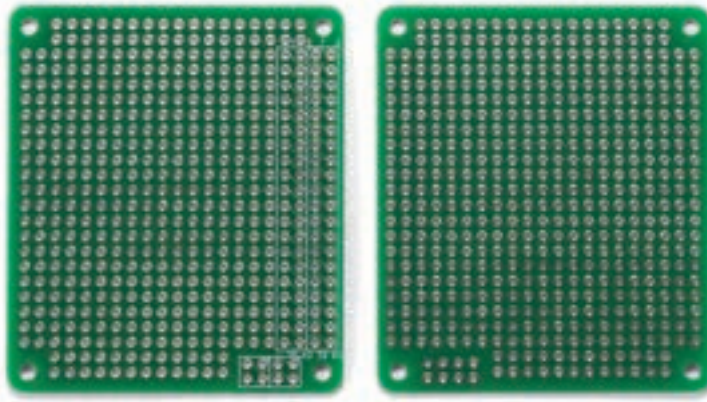
Product no.	External dimensions			Pillar Thermal conductive sheets	※Thermal resistance rate (°C/W)	Weight (g)
	W	H	D			
RPHD-4B-H-S	63	30	98	○	7.31	168.2
RPHD-4B-N-S	63	30	98	×	7.31	150.7

- ※Thermal resistance test condition
- Ambient air cooling.
  - Heat-sink fins are set perpendicular to the ground with temperature at 60°C.
  - Powder coated aluminium diecast.
  - Heat source is applied on the opposite side (inner side) of the fins.



# RPCB-4B

# EXPANSION PCB for Raspberry Pi 4B



Installation example



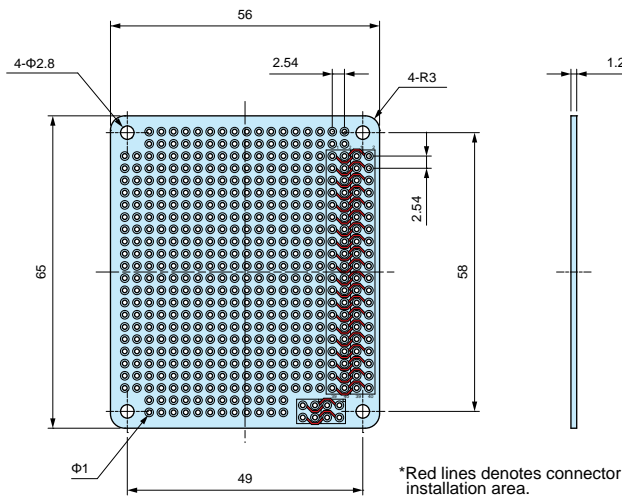
- Raspberry Pi Board is not included.
- Connector, spacer, and mounting screw set are sold separately.

■ Material / Finish : Glass epoxy (FR-4) / Through-hole - Lead-free solder resist

- Expansion PCB for standard Raspberry Pi 4B boards. Use to install expansion parts or components.
- Environmentally friendly lead-free solder. RoHS3 compliant.

## RPCB-4B dimensions

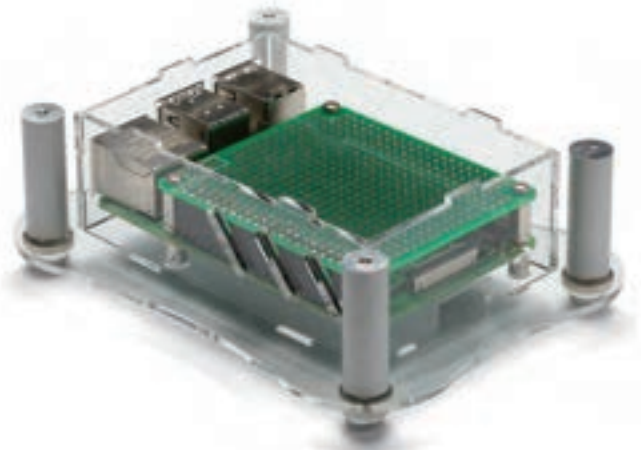
■ DXF/DWG/PDF drawings available on our website.



### Product no.

Product no.	Pack of
RPCB-4B	1

- Expansion PCB can also be utilized on RPI-4B and RPA series cases.  
See page 132 ~ 134 for RPI series case and page 135 ~ 136 for RPA series case.



RPS series

PIN SOCKET CONNECTOR for RPCB-4B

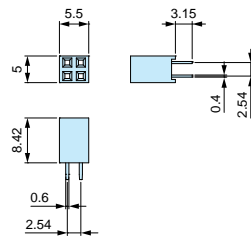


RPS dimensions

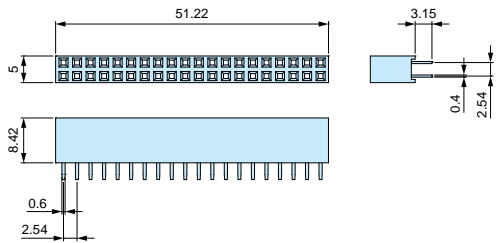
DXF/DWG/PDF drawings available on our website.



RPS2-2



RPS2-20



Material / Color : (Socket) FRPBT UL94V-0 /Black • (Pin) Phosphor bronze

2.54mm hole-to-hole pitch pin socket connector.  
Utilize with RPCB-4B expansion PCB for Raspberry Pi 4B.

Product no.

Product no.	Pin layout	Pack of
RPS2-2	4 (2 pin x 2)	1
RPS2-20	40 (20 pin x 2)	1

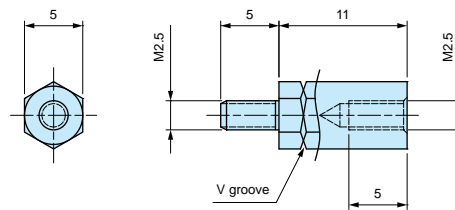
RPSP2.5-11

HEXAGONAL SPACER



RPSP2.5-11 dimensions

DXF/DWG/PDF drawings available on our website.



Material / Finish : Brass / Nickel plated

Brass hexagonal spacer with M2.5 threads on both male and female sides.  
Utilize with RPCB-4B expansion PCB for Raspberry Pi 4B.

Product no.

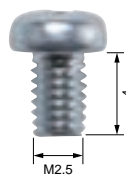
Product no.	Pack of
RPSP2.5-11	4

MT2.5-4

MOUNTING SCREW for RPSP2.5-11



MT2.5-4 dimensions



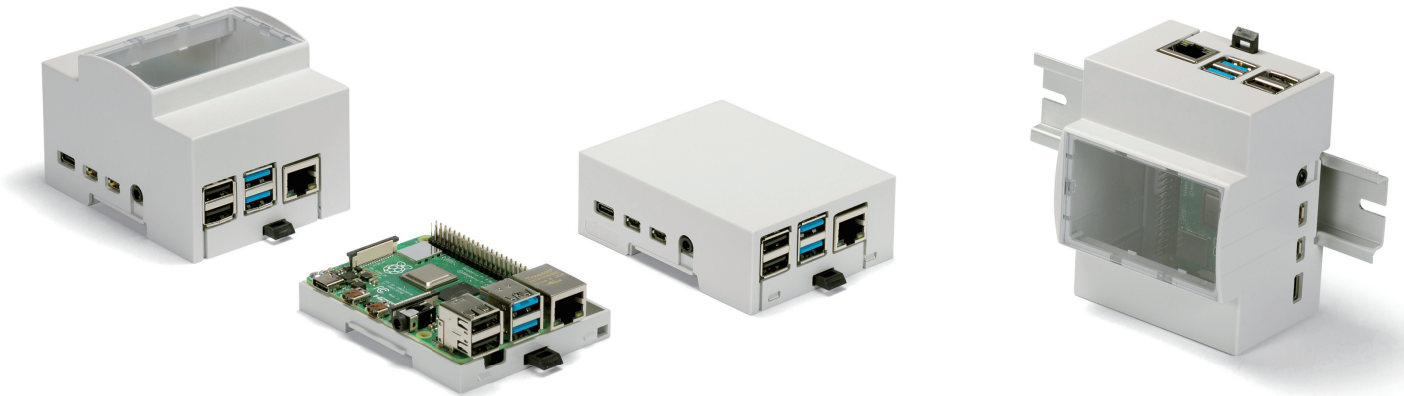
Material / Finish : Steel / Trivalent chromate

Utilize when affixing RPCB-4B expansion PCB.

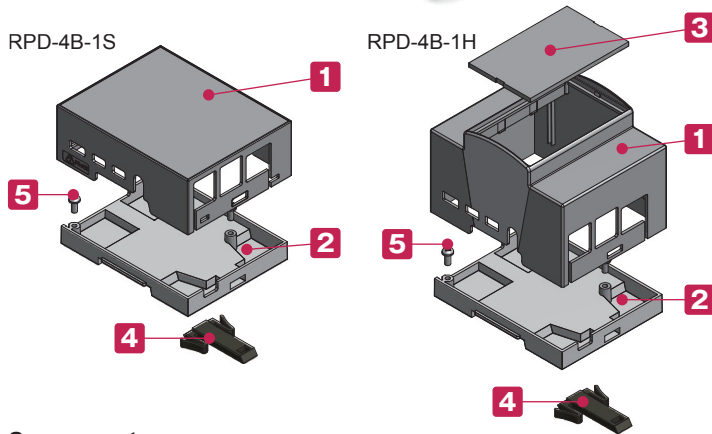
Product no.

Product no.	Pack of
MT2.5-4	4





RPD-4B-1S



- Exclusively for use with Raspberry Pi 4B.
- Exclusively for use with 35mm DIN rail.
- Able to assemble easily with a flathead screwdriver; no screws required.
- \*Caution : Material may easily break when assembling.

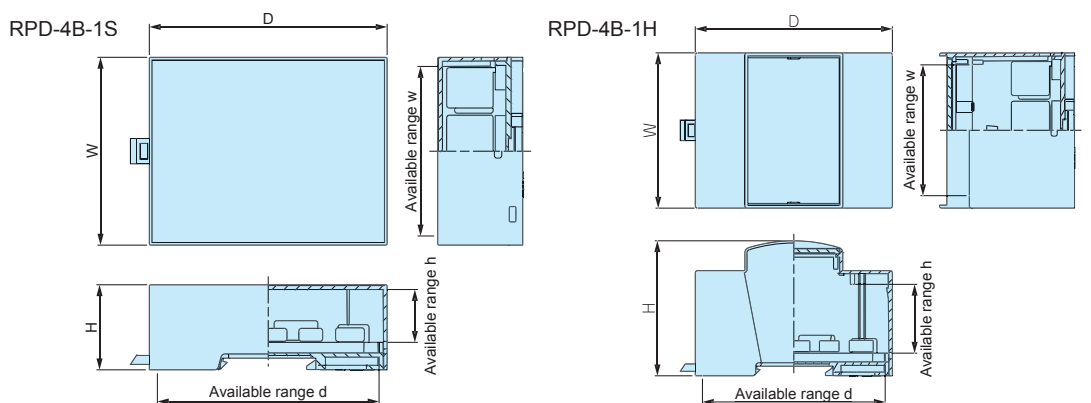
■ Raspberry Pi Board is excluded.

### Components

No.	Part name	Pcs	Material	Color / Finish
1	Body	1	PC + ABS	Gray
2	Base	1	PC + ABS	Gray
3	Front panel (RPD-4B-1H only)	1	Polycarbonate t = 2.0	Transparent
4	Hook	1	PPO	Black
5	Screw for Board (M3-6)	2	Stainless steel	Unfinished

### RPD dimensions

■ Drawings below are reference examples only.  
DXF/DWG/PDF drawings available on our website.



### Product no. / Dimensions

Product no.	Dimensions						Weight (g)
	W	H	D	w	h	d	
RPD-4B-1S	71.1	32.2	90	64.1	20.1	83.9	46.8
RPD-4B-1H	71.3	62	90.5	60.3	31.7	83.9	68.1

## TAKACHI ELECTRONICS ENCLOSURE CO., LTD.

3-21-16 Higashi-ryoke,  
Kawaguchi, Saitama 332-0003, JAPAN  
Tel. +81-48-222-5409

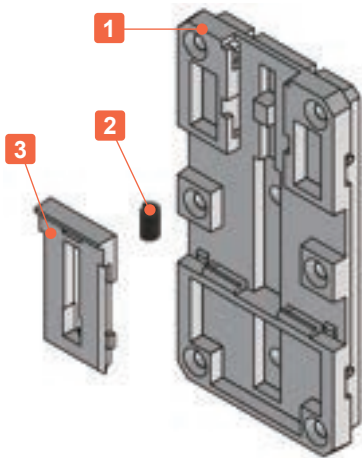
[www.takachi-enclosure.com](http://www.takachi-enclosure.com)  
[sales@takachi-el.co.jp](mailto:sales@takachi-el.co.jp)

● All items listed in this catalogue are compliant with EU RoHS 10 standard.

DRP series

DIN-RAIL MOUNTING BASE

Installation Example



- Mounting base for installation of enclosures, PCB and other parts onto 35mm DIN-rail.
- Easy mounting and dismounting from a DIN-rail using the pull lever.
- Replacement product for the discontinued DRA series.

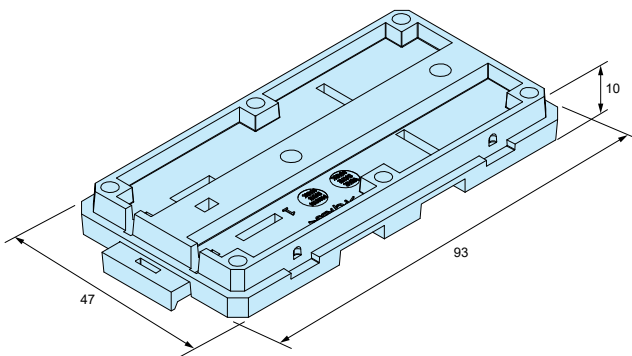
Technical Data
Max load : 5kg

Components

No.	Part name	Pcs	Materials	Color / Finish
1	Base	1	PC/ABS (UL94V-0)	Off-white
2	Compression spring	1	SUS304	Unfinished
3	Lever	1	PC/ABS (UL94V-0)	Off-white

DRP dimensions

■ DXF/DWG/PDF/STP drawings available on our website.



Product no. / Details

Product no.	Weight (g)	Old product model
DRP5-9W	24.6	DRA-1

Accessories (Optional parts) ■ See website for further details.



DIN RAIL - FDR series  
See page FDR-1 ~ FDR-2



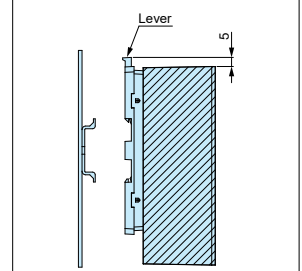
ECONOMICAL DIN-RAIL  
END STOPPER - DRS series  
See page TKR • DRS

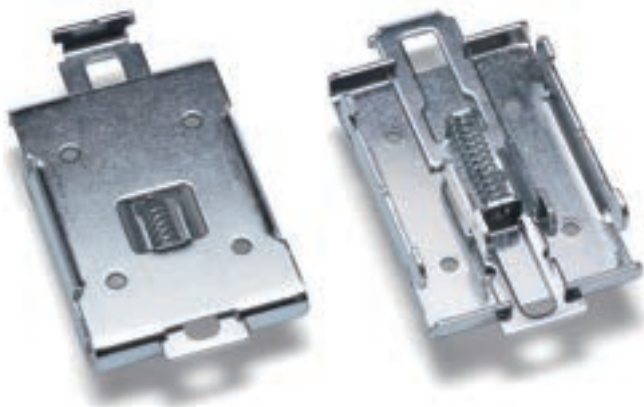


DIN-RAIL TERMINAL BLOCK  
END STOPPER - TKR series  
See page TKR • DRS

■ NOTE

Before installation, please ensure that the lever is not fully hidden behind the enclosure.

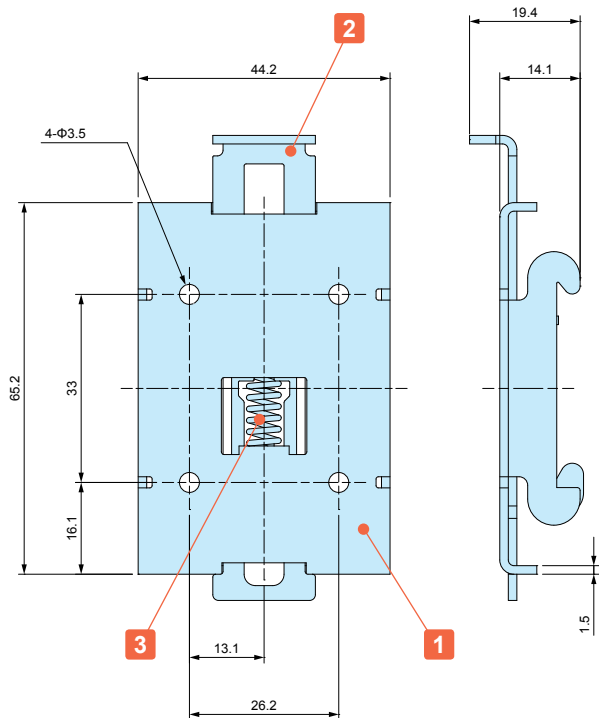




Installation example

- For installation of enclosures, PCB and other parts onto a DIN rail.
- Robust metallic material allows rigid mounting on DIN rails.
- Simple installation and removal via the pull lever.

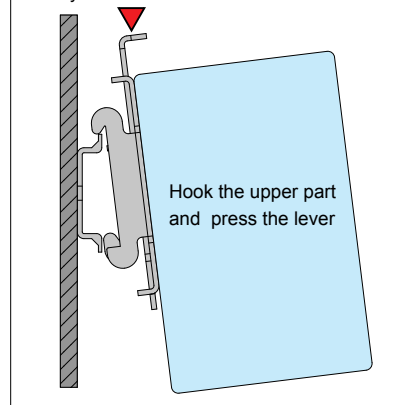
DRM-1 dimensions



- DXF/DWG/PDF drawings available on our website.

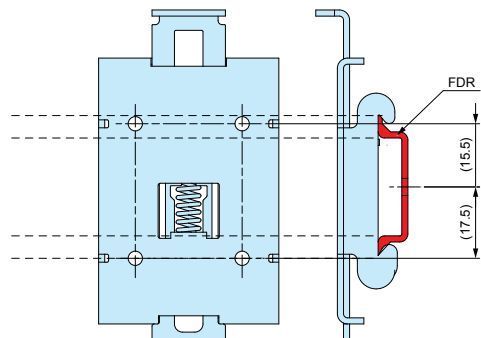
NOTE

Before installation, please ensure that the lever is not fully hidden behind the enclosure.



Technical Data
Max load : 10kg

- Installation example on FDR series DIN-rail.



Components

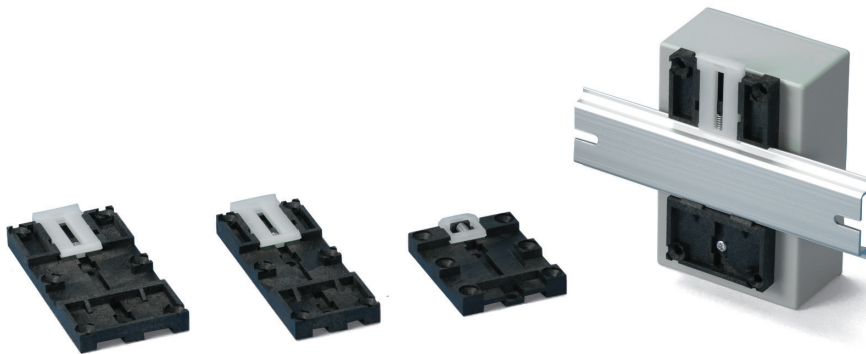
No.	Part name	Material	Color / Finish
1	Base	Plated steel	Zinc plated
2	Lever	Plated steel	Zinc plated
3	Spring	Steel	Zinc plated

Product no. / Details

Product no.	Weight (g)
DRM-1	57.5

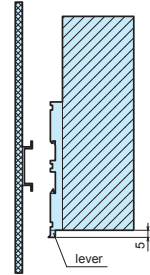
# DRA series

# DIN-RAIL MOUNTING BASE



**NOTE**

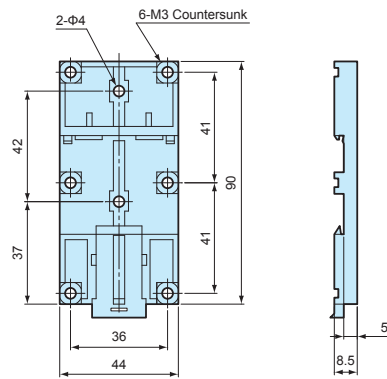
Before installation, please ensure that the lever is not fully hidden behind the enclosure



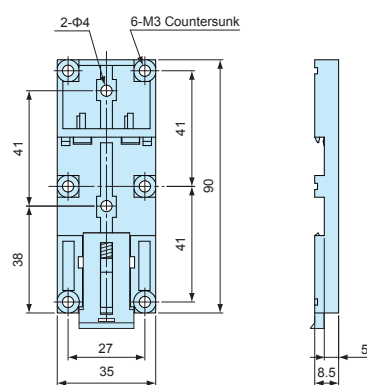
- For installation of enclosures, PCB and other parts onto a DIN rail.
- Simple installation and removal via the pull lever.

## DRA dimensions

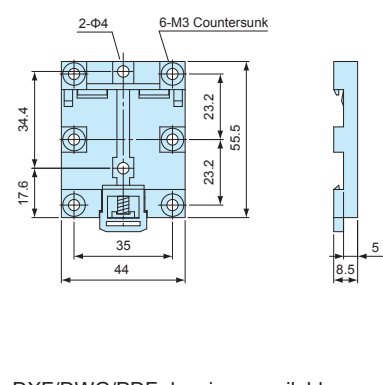
### DRA-1



### DRA-2



### DRA-3



**Technical Data**

Max load : 5kg

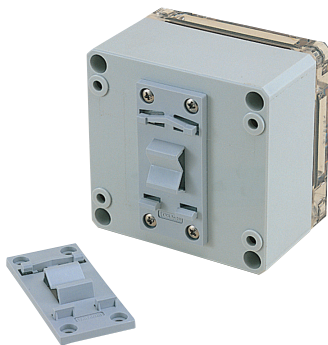
■ DXF/DWG/PDF drawings available on our website.

### Product no. / Dimensions

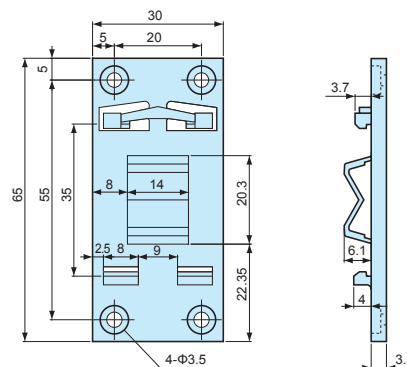
Product no.	Material (body)	Material (lever)	Color	Weight (g)
DRA-1	PPE : SB UL94V-1	Nylon 66 UL94V-2	Black : White	16.4
DRA-2	PPE : SB UL94V-1	Nylon 66 UL94V-2	Black : White	14.5
DRA-3	PPE : SB UL94V-1	Nylon 66 UL94V-2	Black : White	10.4

# DRT series

# DIN-RAIL MOUNTING BASE



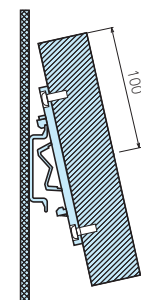
## DRT dimensions



■ DXF/DWG/PDF drawings available on our website.

**NOTE**

Before installation, please ensure that the length (from top) of the enclosure is equal to, or less than 100mm from the center of the mounting base.



- For installation of enclosures, PCB and other parts onto a DIN rail.
- Simple installation and removal by tilting the case at an angle and sliding it in/out.

### Product no. / Dimensions

Product no.	Material	Color	Weight (g)
DRT-1	PC/ABS UL94V-0	Light gray	7.3

**Technical Data**

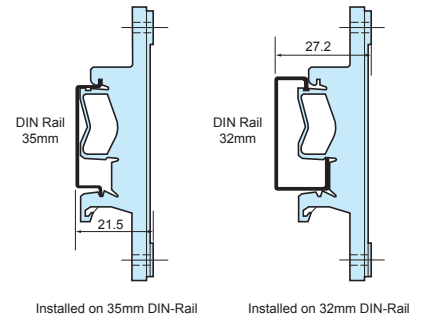
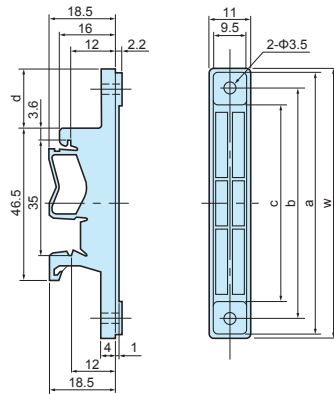
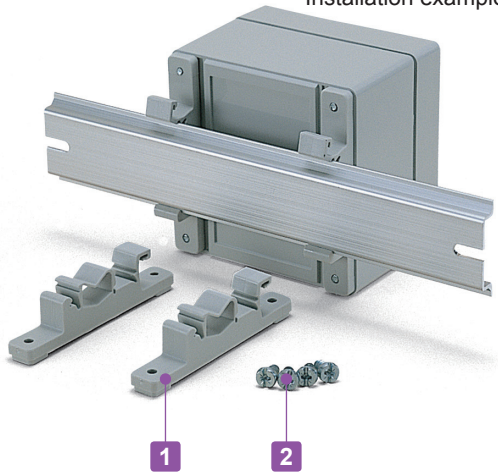
Max load : 1kg  
Operating temperature: -20°C ~ +70°C

**CKD SERIES**

**DIN-RAIL MOUNTING FEET**

Installation example

■ DXF/DWG/PDF drawings available on our website.



■ Mounting feet for installation of enclosures, PCB and other parts onto a DIN rail. Can be easily detached.

Technical Data
Max load : 3kg

**Components**

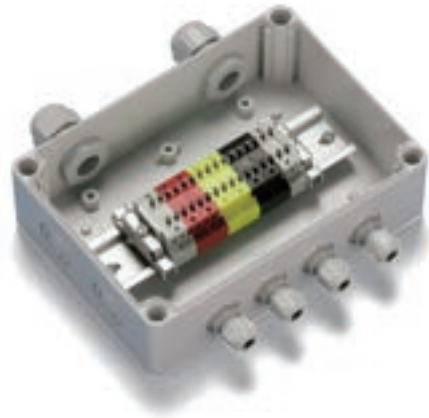
No.	Part name	Pcs	Material	Color / Finish
1	Mounting feet	2	Polyamide	White gray
2	Screw (special type 4.2 x 9.5)	4	Screw	Unichrome plated

**Product no. / Dimensions**

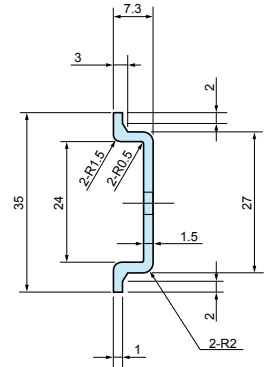
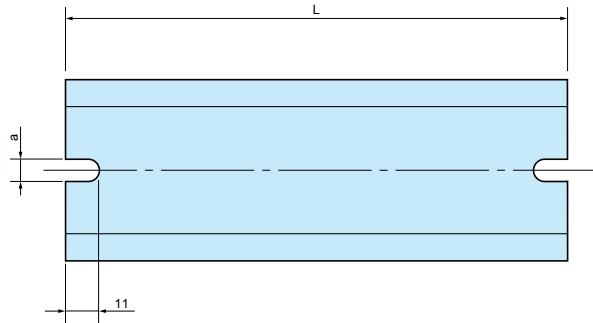
Product no.	W	a	b	c	d	Pack of
CKD- 80	77	75	66	56	17	2
CKD-120	117	115	106	96	37	2
CKD-160	157	155	147	136	57	2

FDR SERIES

DIN-RAIL



- DIN rail for installation of terminals, relays or switches inside enclosures.
- Available in different models and lengths to fit a wide variety of mounting boss pitch.
- FDR-1000 is available if customized length is required.



Feature

Material	Finish
Extruded Aluminium A6063S-T5	Silver anodized

Product no. / Dimensions

Product no.	L	a	Matching boss pitch
FDR- 50	50	4.2	32 ~ 42
57	57	4.2	39 ~ 49
66	66	4.2	48 ~ 58
77	77	4.2	59 ~ 69
80	80	4.2	62 ~ 72
87	87	4.2	69 ~ 79
92	92	4.2	74 ~ 84
100	100	4.2	82 ~ 92
106	106	4.2	88 ~ 98
110	110	4.2	92 ~ 102
120	120	4.2	102 ~ 112
128	128	4.2	110 ~ 120
137	137	4.2	119 ~ 129
142	142	4.2	124 ~ 134
146	146	4.2	128 ~ 138
150	150	4.2	132 ~ 142
168	168	4.2	150 ~ 160
170	170	4.2	152 ~ 162
186	186	4.2	168 ~ 178
202	202	4.2	184 ~ 194
205	205	4.2	187 ~ 197
223	223	4.2	205 ~ 215
226	226	4.2	208 ~ 218
235	235	4.2	217 ~ 227
242	242	4.2	224 ~ 234
249	249	4.2	231 ~ 241
283	283	4.2	265 ~ 275
300	300	4.2	282 ~ 292
350	350	4.2	332 ~ 342
450	450	4.2	432 ~ 442
550	550	4.2	532 ~ 542

Product no.	L	a	Matching boss pitch
FDR-B102	102	6.5	86 ~ 92
<b>NEW</b> B124	124	6.5	108 ~ 114
B142	142	6.5	126 ~ 132
B160	160	6.5	144 ~ 150
B165	165	6.5	149 ~ 155
B176	176	6.5	160 ~ 166
B183	183	6.5	167 ~ 173
B223	223	6.5	207 ~ 213
B260	260	6.5	244 ~ 250
B283	283	6.5	267 ~ 273
B303	303	6.5	287 ~ 293
B338	338	6.5	322 ~ 328
B360	360	6.5	344 ~ 350
B376	376	6.5	360 ~ 366
B383	383	6.5	367 ~ 373
B463	463	6.5	447 ~ 453
B560	560	6.5	544 ~ 550
B623	623	6.5	607 ~ 613
FDR-1000	1000	—	—

■ FDR-1000 does not have mounting holes.

Matching DIN-Rail Chart

BC□□ series

Product no.	Matching DIN-Rail
091207	FDR - 80
091208	80
101507	110
101508	110
112107	170
112110	170
112607	223
112610	223
BCAP	
BCPC	
BCPK	
BCAR	
BCPR	
131508	120
131808	150
131810	150
151509	120
151512	120
162110	170
162113	170
162610	223
162613	223
172211	170
172711	223

BDN series

Product no.	Matching DIN-Rail
6- 8- 5	FDR - 50
7-10- 4	-
9- 9- 6	FDR - 80
9-13- 5	120
10-14- 7	128
11-16- 6	150
12-22- 8	205
16-26- 9	242

BCAS series

Product no.	Matching DIN-Rail
071005	FDR - 92
080806	66
081104	92
081107	92
081108	92
081110	92
081307	110
081308	110
081807	168
081808	168
082507	235
082508	235
101007	77
101010	77
101807	150
102007	170
102307	202
121207	80
121210	80
141709	146
142309	205
151507	120
151510	120
152004	170
152007	170
152010	170
152013	170
152016	170
152510	226
152513	226
161607	137

SPCM • SPCP series

Product no.	Matching DIN-Rail
081304	FDR - 50/100
081305	50/100
081306	50/100
081308	50/100
081310	50/100
081313	50/100
101004	80
101006	80
131304	100
131305	100
131306	100
131308	100
131310	100
131313	100
SPCM	
SPCP	
131804	100/150
131805	100/150
131806	100/150
131808	100/150
131810	100/150
131813	100/150
131815	100/150
181808	150
181810	150
181813	150
181815	150
182508	150/223
182510	150/223
182515	150/223

Accessories (Optional parts)



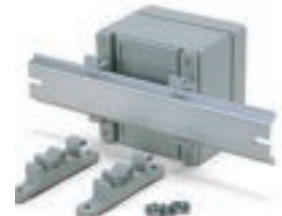
DIN-Rail stopper bracket TKR series  
See page DIN-ACC-2



DIN-Rail mounting base DRA series  
See page DIN-ACC-1



DIN-Rail mounting base DRT series  
See page DIN-ACC-1



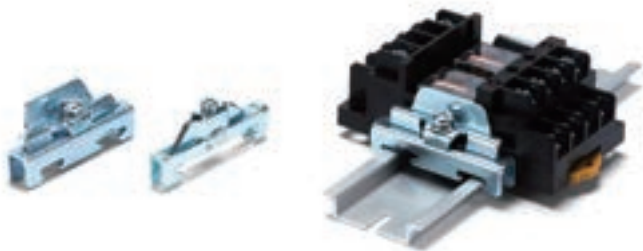
DIN-Rail mounting feet CKD series  
See page DIN-ACC-2

**TKR** series

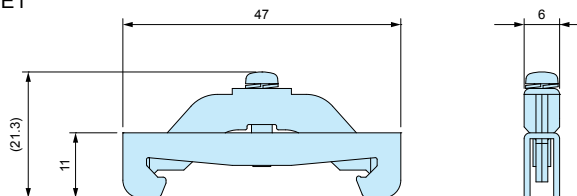
**DIN-RAIL TERMINAL BLOCK END STOPPER**



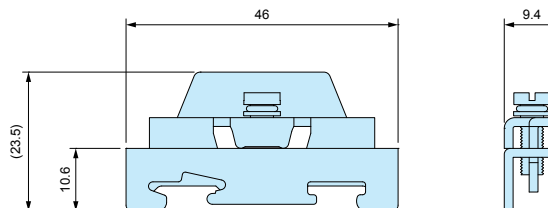
■ DXF/DWG/PDF drawings available on our website.



TKR-TWE1



TKR35-1



- Stopper bracket for use with 35mm DIN-rail to keep an attachment at a fixed location.
- TKR-TWE1 is used with small DIN rail attachment parts. For larger / higher attachment parts, TKR35-1 is recommended for providing additional support.

**Product no. / Details**

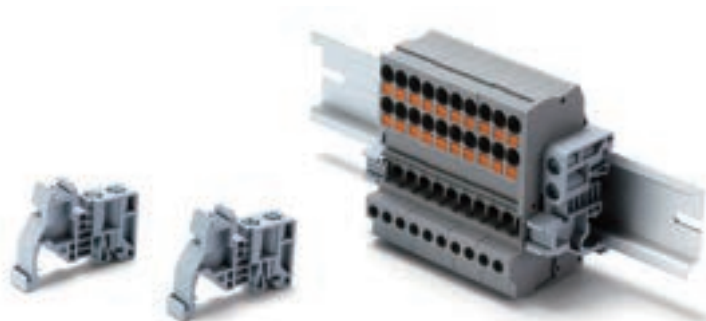
Product no.	Material	Finish	Pack of
TKR-TWE1	Steel	Trivalent chromate	2
<b>NEW</b> TKR35-1	Steel	Trivalent chromate	2
<b>NEW</b> TKR35-1-P	Steel	Trivalent chromate	50

**DRS** series

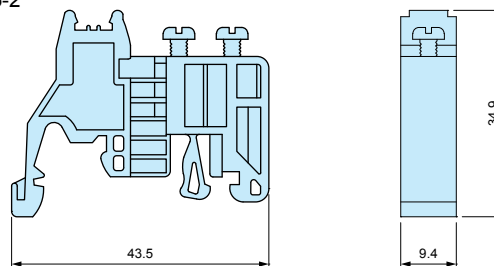
**ECONOMICAL DIN-RAIL END STOPPER**



■ DXF/DWG/PDF drawings available on our website.



DRS35-2



- Economically priced end stopper bracket.
- Included screws allow affixing of stopper brackets firmly at a fixed location.

**Product no. / Details**

Product no.	Material	Color	Pack of
DRS35-2	PA66	Light Gray	2
DRS35-2-P	PA66	Light Gray	50