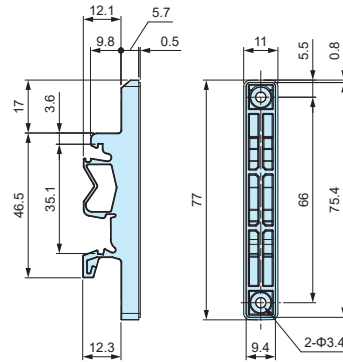
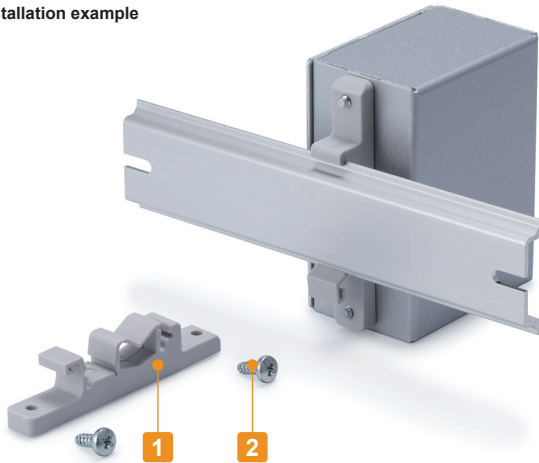
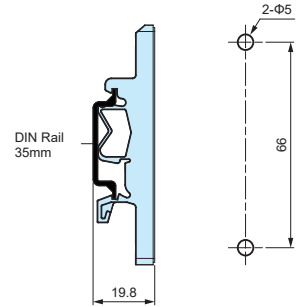


■ DXF/DWG/PDF drawings available on our website.

Installation example



Hole layout for mounting



Installed on 35mm DIN-Rail

- Mounting bracket for installation of enclosures, PCB and other parts onto 35mm DIN rail. Can be easily detached.
- Bulk packaging is available.
- Replacement product for the discontinued CKD-80.

Technical Data	
Max load : 1.5kg	

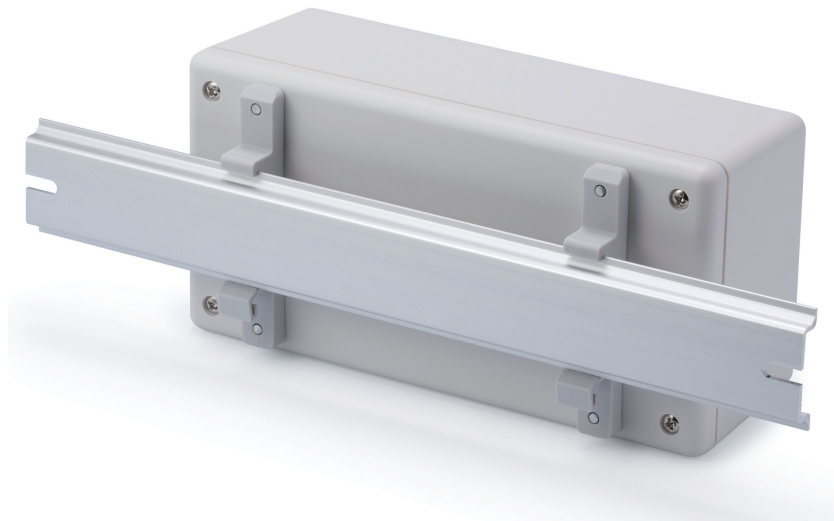
Components

No.	Part name	Pcs	Material	Color / Finish
1	Mounting bracket	1	Nylon6	White gray
2	Screw	2	Steel (Bind head tapping 4-10)	Trivalent chromate

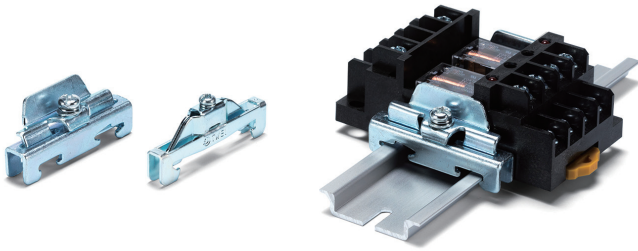
Product no. / Details

Product no.	Pack of
DRF80-1	1
DRF80-1-P	20

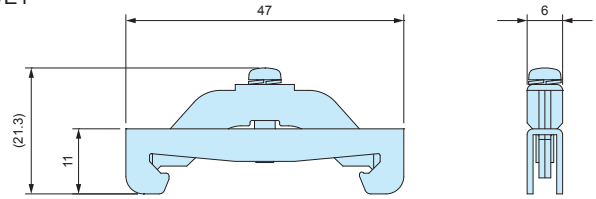
Installation example (using 2pcs)



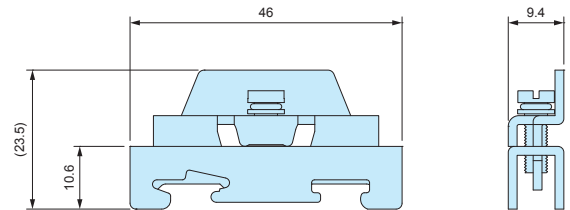
■ DXF/DWG/PDF drawings available on our website.



TKR-TWE1



TKR35-1

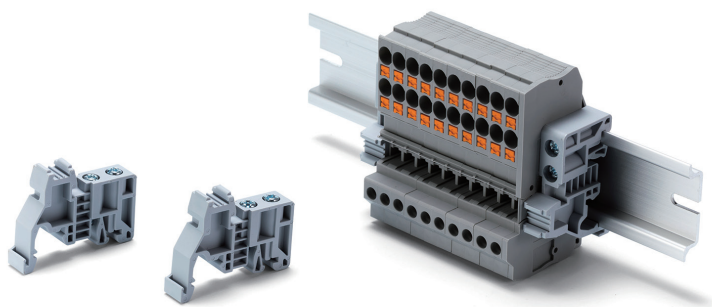


- Stopper bracket for use with 35mm DIN-rail to keep an attachment at a fixed location.
- TKR-TWE1 is used with small DIN rail attachment parts. For larger / higher attachment parts, TKR35-1 is recommended for providing additional support.

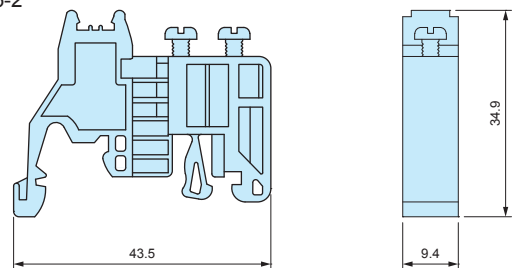
Product no. / Details

	Product no.	Material	Finish	Pack of
	TKR-TWE1	Steel	Trivalent chromate	2
NEW	TKR35-1	Steel	Trivalent chromate	2
NEW	TKR35-1-P	Steel	Trivalent chromate	50

■ DXF/DWG/PDF drawings available on our website.



DRS35-2



- Economically priced end stopper bracket.
- Included screws allow affixing of stopper brackets firmly at a fixed location.

Product no. / Details

	Product no.	Material	Color	Pack of
	DRS35-2	PA66	Light Gray	2
	DRS35-2-P	PA66	Light Gray	50