

# MXF • MXB • MXA • MX series ALUMINIUM MOBILE ENCLOSURE

MXF • MXB • MXA • MX mobile enclosures are designed with a beautiful and elegant finish in mind. Having a rounded design, it fits comfortably in your hand, while giving off a simple yet stylish look. Suitable for use in a wide variety of industries, such as a small audio device, or as an amplifier unit, among others.

Selectable from 4 different types: an economical plastic end panel MX series, a luxurious aluminium end panel MXA series, a flanged end panel MXF series, and a protective silicone band MXB series.

## APPLICATION EXAMPLE

### Fiber Optic LAN Converter



### Desktop Audio Preamplifier with USB



### Wireless Microphone System



reddot award  
product design



Catchbox  
Microphone



Catchbox  
Receiver



Sound system  
of your choice



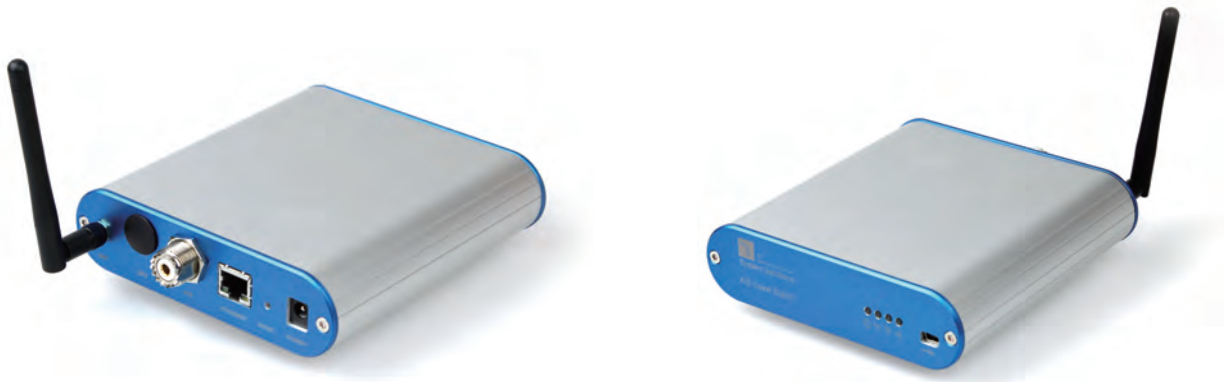
### Ethernet Cellular Router



### WiFi Access Point



### AIS (Automatic Identification System) Signal Receiver



### Data Transmitter for Automatic Number Plate Recognition (ANPR) System



IO-Link DEVICE



**CAN & LIN Vehicle Communication Simulator / Monitor**

**Signal Checker / Tester**



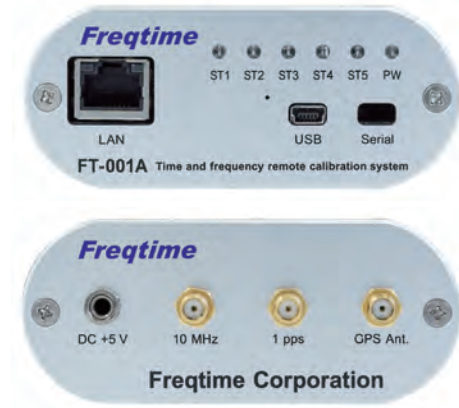
**Audio Power Supply**



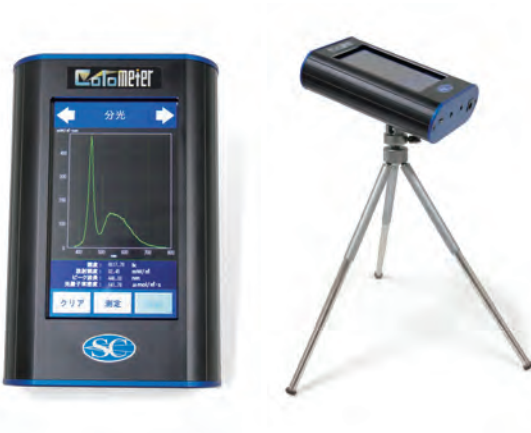
**Model Railroad Controller**



**Portable Frequency Standard Device**



**Spectral Luminometer**



**RTD Sensor Tester**



**Mobile Moisture Meter**



**Full Color LED Tabletop Lighting Device**

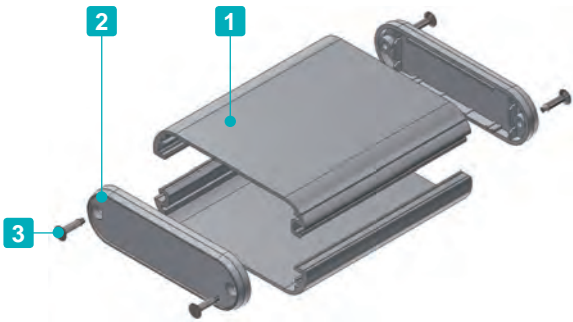


**Active EMF Protection Device**



**Illumination Inverter**





- Mobile enclosure with easy to hold rounded design.
- 12 different color combinations and 24 different sizes available to choose from.
- Frame is made from extruded aluminium material, while the panel is ABS plastic.
- Grooves are built into the internal enclosure, allowing for easy sliding/insertion of PCB boards.

Included screws

MX2-4, 2-6 models : M2.6-14 x 4 pcs

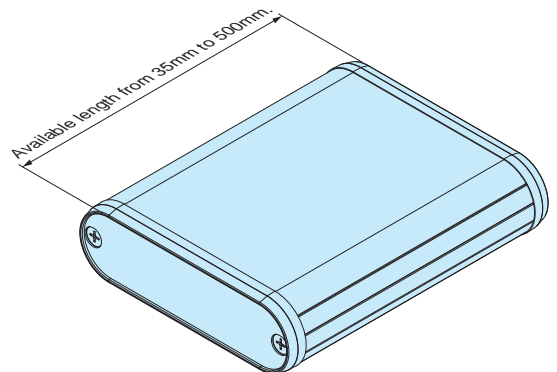
MX2-7, 2-8, 3-11 models : M3-12 x 4 pcs

MX4-7, 4-10, 4-13 models : M3-14 x 4 pcs

Components

No.	Part name	Pcs	Material	Color / Finish
1	Frame	2	Extruded aluminium A6063S-T5	Silver • Black / Anodized with clear coating
2	Panel	2	ABS UL94HB	Gray • Black / Unpainted Navy • Lime • Orange • Red / Painted
3	Self-tapping screw	4	Steel	Nickel plated • Black trivalent chromate

Custom length available in 1mm intervals.

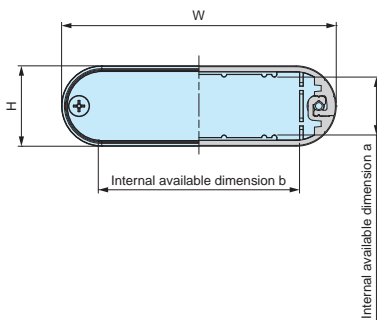
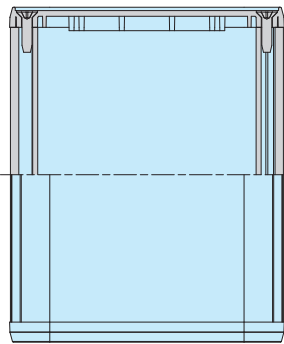


**Color Type** Please choose from the color combinations listed below

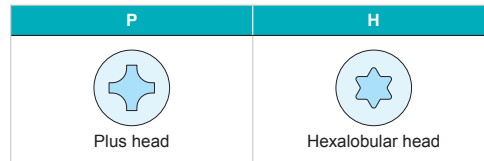
※Black • Gray panels / Unpainted Other panels / Painted



**MX dimensions**

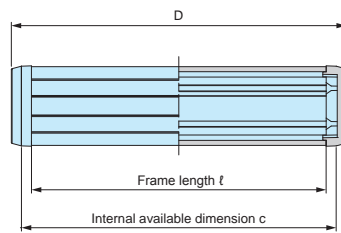


**Screw Type**



Please request / order by indicating the combination part number as below.

**MX 2 - 4 - 5**        
Color code Screw P or H



**Accessories (Optional parts)**



Silicone band SIB series  
See page 196



Embedded battery box BC series  
See page 125 ~ 128

■ DXF/DWG/PDF/STP drawings available on our website.

**Product no. / Dimensions**

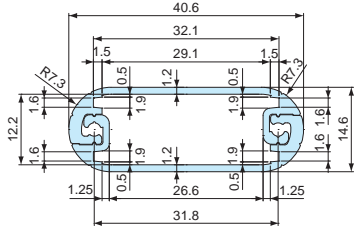
■ Please suffix color and screw code at the end of the product number.

Product no.	H	W	D	a	b	c	ℓ	Weight (g)
MX2- 4- 5	15	41	50	8.9	26.6	44.6	38	20
MX2- 4- 8	15	41	80	8.9	26.6	74.6	68	35
MX2- 4-11	15	41	110	8.9	26.6	104.6	98	50
MX2- 6- 5	18	57	50	12.3	42.5	45	40	35
MX2- 6- 8	18	57	75	12.3	42.5	70	65	50
MX2- 6-10	18	57	100	12.3	42.5	95	90	70
MX2- 7- 6	20	70	60	13.2	53.2	54.6	48	50
MX2- 7- 9	20	70	90	13.2	53.2	84.6	78	80
MX2- 7-12	20	70	120	13.2	53.2	114.6	108	105
MX2- 8- 7	24	82	70	17.2	65.2	64.6	58	75
MX2- 8-10	24	82	100	17.2	65.2	94.6	88	105
MX2- 8-13	24	82	130	17.2	65.2	124.6	118	140
MX3-11- 8	30	110	80	23.3	93.2	74.6	66	110
MX3-11-12	30	110	120	23.3	93.2	114.6	106	165
MX3-11-17	30	110	170	23.3	93.2	164.6	156	235
MX4- 7- 6	35	70	60	28.2	53.2	53	46	65
MX4- 7- 9	35	70	90	28.2	53.2	83	76	100
MX4- 7-12	35	70	120	28.2	53.2	113	106	130
MX4-10- 8	40	95	80	33.1	78.2	73	64	115
MX4-10-12	40	95	120	33.1	78.2	113	104	175
MX4-10-15	40	95	150	33.1	78.2	143	134	215
MX4-13-10	35	130	100	27.7	113.2	94.4	84	175
MX4-13-15	35	130	150	27.7	113.2	144.4	134	265
MX4-13-21	35	130	210	27.7	113.2	204.4	194	375

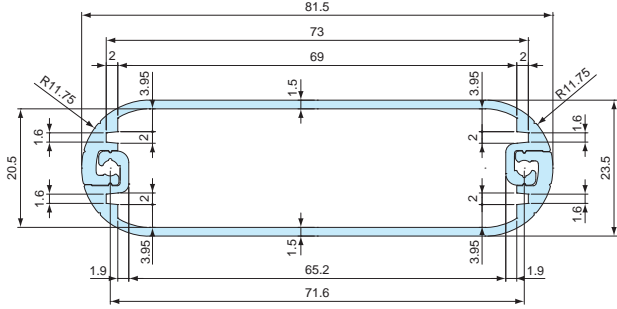
Cross section view of MXF • MXB • MXA • MX frames

DXF/DWG/PDF/STP drawings available on our website.

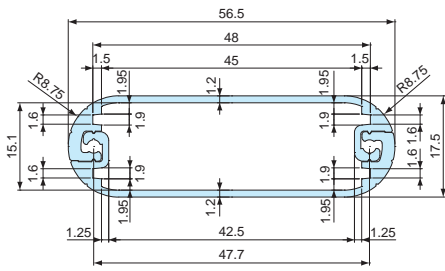
MXF • MXB • MXA • MX2-4-□



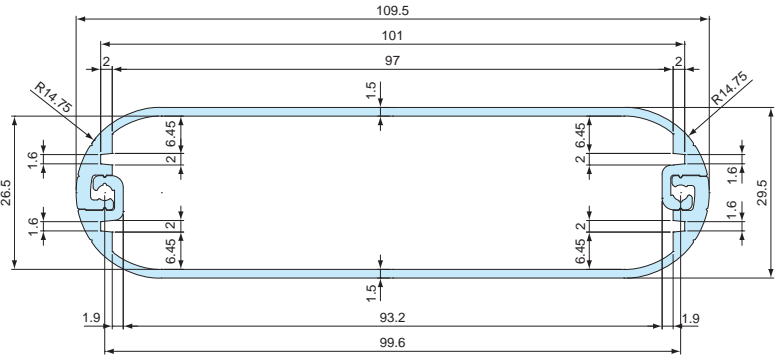
MXF • MXB • MXA • MX2-8-□



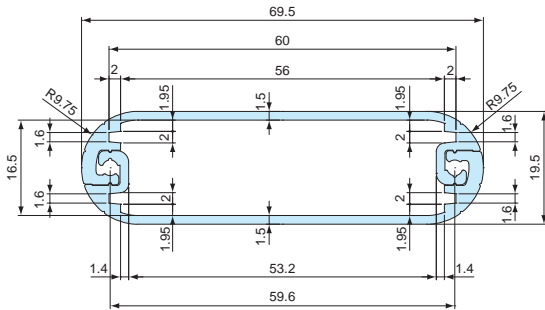
MXF • MXB • MXA • MX2-6-□



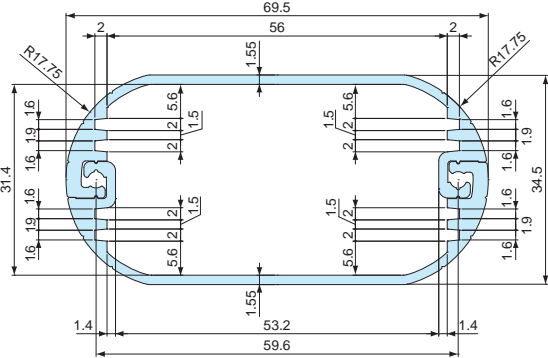
MXF • MXB • MXA • MX3-11-□



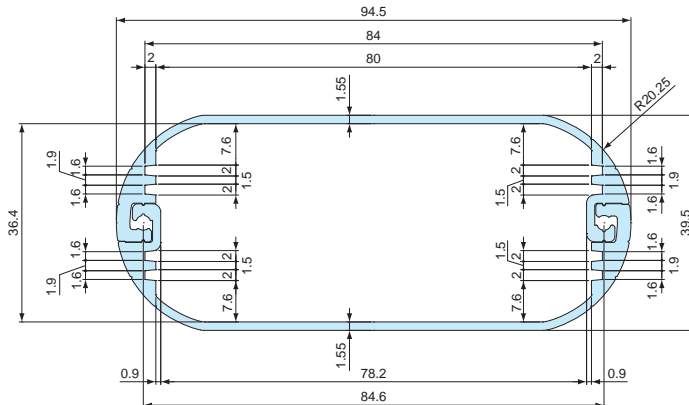
MXF • MXB • MXA • MX2-7-□



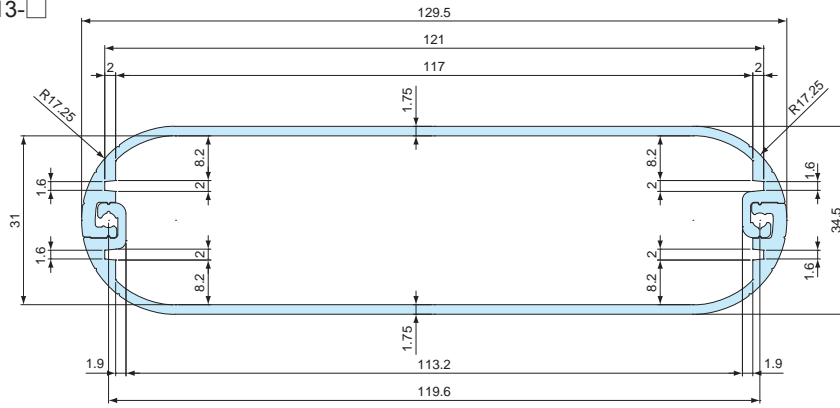
MXF • MXB • MXA • MX4-7-□



MXF • MXB • MXA • MX4-10-□



MXF • MXB • MXA • MX4-13-□



Accessories (Optional parts)

SIB series

## SILICONE BAND

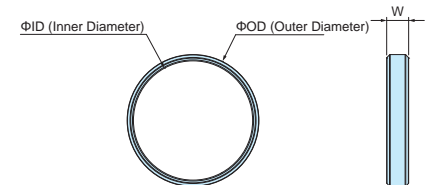


Application example



- Silicone band designed to fit MXA and MX series.
- Silicone band provides both shock resistance and non-slip grips for the enclosure.
- Elastic silicone band may also fit other similarly sized enclosures.

### SIB dimensions



### Color Type

Code	R Red	O Orange	Y Yellow	G Green	C Cyan	N Navy	L Light gray	B Black
Color								

### Components

Part name	Pcs	Material	Color
Silicone band	Pair (2 pcs)	Silicone	Red • Orange • Yellow • Green • Cyan • Navy • Light gray • Black

### Product no. / Dimensions

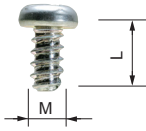
■ Please suffix color code at the end of the product number.

Product no.	W	ID	OD	Suitable models	Enclosure circumference (mm)	Weight (g)
SIB-21□	6	21	25	MXA • MX2-4-□ • 2-6-□	95~135	2
SIB-38□	7	38	42	MXA • MX2-7-□ • 2-8-□ • 4-7-□	160~190	4
SIB-58□	8	58	63	MXA • MX3-11-□ • 4-10-□	215~255	10
SIB-72□	10	72	77	MXA • MX4-13-□	280~320	14



**EM** series

**PCB MOUNTING SCREW**



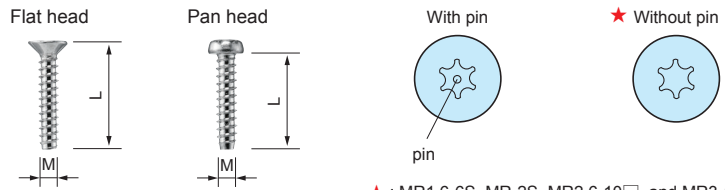
- Self-tapping screws for mounting PCB on bosses or standoffs.
- EM-3-6 self-tapping screws are suitable for mounting 1.6mm or thicker PCB.

**Product no. / Dimensions**

Product no.	M	L	Material	Finish	Suitable models	Pack of
EM-1.6	1.6	4	Steel	Trivalent chromate	CSS • CS WC • PS (M1.6 boss models)	50
EM-2	2	5	Steel	Trivalent chromate	SIC • SIM • WC • PS • TW • TWN • TWF PF • WC • WP (M2 boss models)	50
EM-2.3	2.3	6	Steel	Trivalent chromate	WH • LC • LCT • LCS • LCE • PFE WSC (Top cover bosses) PF • PFF (M2.3 boss models) TW • TWN • TWF (M2.3 boss models) WP (M2.3 boss models)	50
EM-2.3-8	2.3	8	Steel	Trivalent chromate	WSC (Bottom base bosses)	50
EM-2.6	2.6	6	Steel	Trivalent chromate	PF • PFF • WP (M2.6 boss models)	50
EM-3	3	5	Steel	Trivalent chromate	TWS • TW • TWN • TWF (M3 boss models)	50
EM-3-6	3	6	Steel	Trivalent chromate		50

**MR** series

**TORX SCREW**



- Self-tapping torx screws for securing of the enclosure.

★ : MR1.6-6S, MR-2S, MR2.6-10□, and MR3-14□ are without pin.

**Product no. / Dimensions**

★ Mark = Without pin

Product no.	M	L	head no.	Head style	Material	Finish	Suitable models	Pack of
MR1.6-6S★	1.6	6	T3	Pan	Steel	Nickel plated	CSS • CS	20
MR2.5-8PS	2.5	8	T8	Pan	Steel	Nickel plated	PF • PFE • PFF (M2.5 size)	20
MR2.6-10S★	2.6	10	T8	Flat	Steel	Nickel plated	TW • TWN (M2.6 size) TWF (M2.6 size)	20
MR2.6-10B★	2.6	10	T8	Flat	Steel	Black trivalent chromate	MX • MXA • MXB • MXF (M2.6 size)	20
MR2.6-12PS	2.6	12	T8	Pan	Steel	Nickel plated	LCT • LCS • LC115-F2 / F3 LCT • LCS • LC145S-F6	20
MR2.6-14PS	2.6	14	T8	Pan	Steel	Nickel plated	LCT • LCS • LC115H-F2 / F3 / M2 / 9V LCT • LCS • LC135-F4 / M2 / M3 / 9V LCT • LCS • LC135H-F4 / M2 / M3 / 9V LCT • LCS • LC145-F6 / M2 / M4 LCT • LCS • LC145H-F6 / M2 / M4 LCT • LCS • LC165-M4 LCT • LCS • LC165H-M4	20
MR2.6-14S	2.6	14	T8	Flat	Steel	Nickel plated	LCT • LCS • LC115-N / F2 / F3 LCT • LCS • LC145S-F6 / 145S-N LCE115-N TW • TWN7-2-11 / 7-4-11 / 7-5-11 TWF7-2-11 / 7-4-11 / 7-5-11 / 8-2-8 / 8-4-8	20
MR2.6-18S	2.6	18	T8	Flat	Steel	Nickel plated	LCT • LCS • LC115H-N / F2 / F3 / M2 / 9V LCT • LCS • LC135-N / F4 / M2 / M3 / 9V LCT • LCS • LC135H-N / F4 / M2 / M3 / 9V LCT • LCS • LC145-N / F6 / M2 / M4 LCT • LCS • LC145H-N / F6 / M2 / M4 LCT • LCS • LC165-N / M4 LCT • LCS • LC165H-N / M4 LCE115H-N • LCE135-N • LCE145H-N • LCE165H-N	20
MR3-8PS	3	8	T10	Pan	Steel	Nickel plated	PF • PFE • PFF (M3 size)	20
MR3-14S★	3	14	T10	Flat	Steel	Nickel plated	TW • TWN (M3 size) TWF (M3 size)	20
MR3-14B★	3	14	T10	Flat	Steel	Black trivalent chromate	MX • MXA • MXB • MXF (M3 size)	20
MR-1S	3	5	T10	Flat	Steel	Nickel plated	UC	20
MR-1B	3	5	T10	Flat	Steel	Black trivalent chromate		20

AFS•AFM series

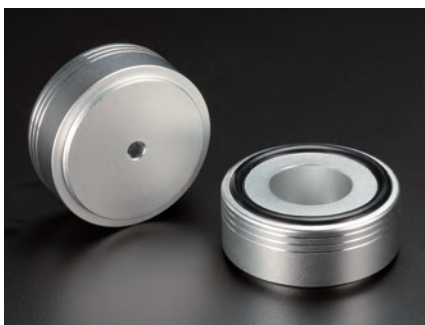
## ALUMINIUM ISOLATION FEET



- The surface treatment and finish allows the feet to exhibit a polished and luxurious feel.
- Non-slip NBR O-ring is present on the underside of the feet.
- Suitable for use in audio devices.

### Available in both internal and external screw installation type.

#### External type / Shot blast finish (AFS series)



The external type is secured via screws from the underside / base of the feet to the enclosure. A thread hole is required for direct securing, while a circular hole is required for lock nut securing.

The shot blast finish provides a high quality surface finish look, and pairing well with various types of enclosure surfaces.

Available in both silver and black.

#### Internal type / Reflective finish (AFM series)



The internal type is secured via screws from the inside of the enclosure. A circular hole is required for securing into the pre-made threads in the top-side of the feet.

The reflective surface finish adds a high quality touch to the unit, allow it to have a luxurious look.

Available only in Silver.

Accessories (Optional parts)

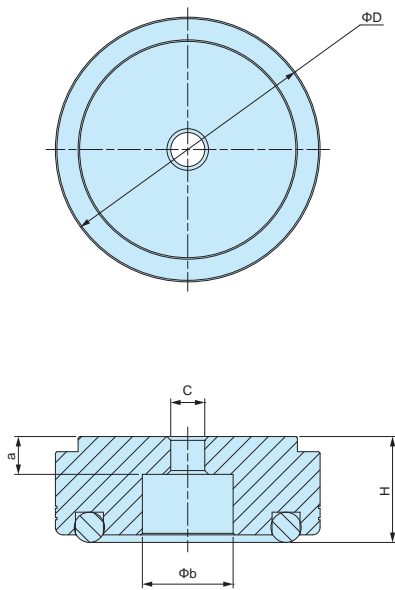
Product no. / Dimensions

Product no.		D	H	Installation type	C	a	b	Pack of
● Silver	● Black							
AFS20- 8S	AFS20- 8B	20	8	External	Φ3.4	3	9	4
AFS25-10S	AFS25-10B	25	10	External	Φ4.5	4	12	4
AFS30-12S	AFS30-12B	30	12	External	Φ4.5	5	12	4
AFS35-14S	AFS35-14B	35	14	External	Φ4.5	5	12	4
AFS39-16S	AFS39-16B	39	16	External	Φ4.5	5	15	4
AFS44-18S	AFS44-18B	44	18	External	Φ4.5	5	20	4
AFS55-20S	AFS55-20B	55	20	External	Φ5.5	5	20	4
AFM15- 7S	-	15	7	Internal	M3	4	-	4
AFM20- 9S	-	20	9	Internal	M3	5	-	4
AFM25-12S	-	25	12	Internal	M4	7	-	4
AFM30-14S	-	30	14	Internal	M4	8	-	4
AFM35-16S	-	35	16	Internal	M4	10	-	4
AFM39-18S	-	39	18	Internal	M4	10	-	4
AFM44-20S	-	44	20	Internal	M4	10	-	4
AFM55-22S	-	55	22	Internal	M5	15	-	4

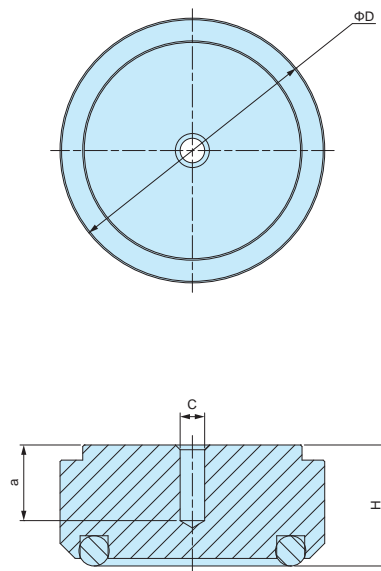
AFS • AFM dimensions

■ DXF/DWG/PDF/STP drawings available on our website.

AFS SERIES



AFM SERIES



APPLICATION EXAMPLE

