

UMP series

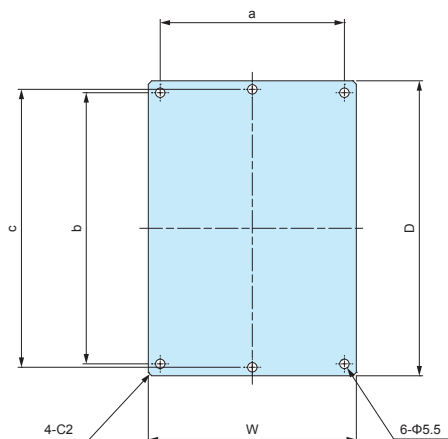
MOUNTING PLATE for UPC



■ Exclusive mounting plate for UPC series. Installation can be done directly into the enclosure, or through the use of the UEL-1 series mounting plate corner bracket.

UMP dimensions

■ DXF/DWG/PDF/STP drawings available on our website.



* For UMP2328 models and larger, b and c dimensions are the same.

■ Material / Finish : Aluminium A1100P t = 1.5 / Silver anodized

Product no. / Details

Product no.	W	D	a	b	c	Weight (g)
UMP1722	122	173	108	159	163	82.5
UMP2328	174	225	159	210	—	153
UMP2833	225	275	210	260	—	243
NEW UMP3338	274	325	260	311	—	352
NEW UMP3843	325	376	311	362	—	482
UMP4348	377	428	362	413	—	635

OMS-1

MOUNTING SCREW for UPC



※ Sales unit 1pc

■ Self-tapping screws for mounting PCBs or DIN rails on bosses.

Product no. / Details

Product no.	Screw details	Material	Finish	Pack of
OMS-1	Self-tapping M5-10	Steel	Trivalent Chromate	1

UEL-1 MOUNTING PLATE CORNER BRACKET for UPC



■ DXF/DWG/PDF/STP drawings available on our website.

- Corner bracket allows for vertical adjustment of the mounting plate at different pre-determined heights.
- Insert nut enables the mounting plate to be affixed on rigidly.
- Slide-and-snap construction makes installation simple and easy.

Application example



Product no. / Details

Included screws : Binding head UNF #10-32 (Unfinished stainless steel) x 4 pcs

Product no.	Material	Color / Finish	Weight (g)	Pack of
UEL-1	PC + ABS	White gray (RAL9002)	41	4