

Uniquely Designed Aluminium Case with distinctive features and easy-to-assemble structure!

Flat panels with a curved arc design creates a unique aesthetic appearance and allows both easy assembly and customization.



Embedded Computer



Raspberry Pi Case



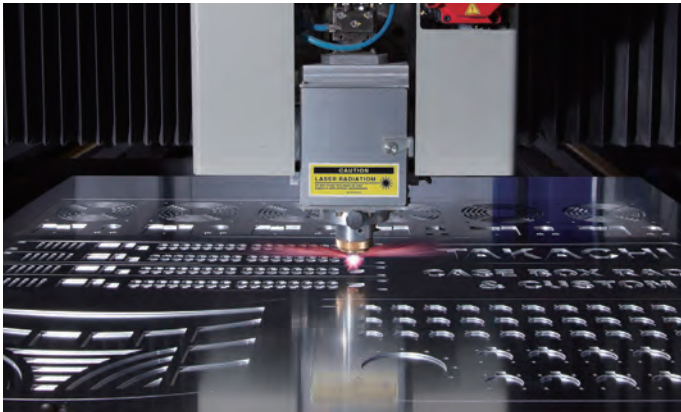
Audio Amplifier



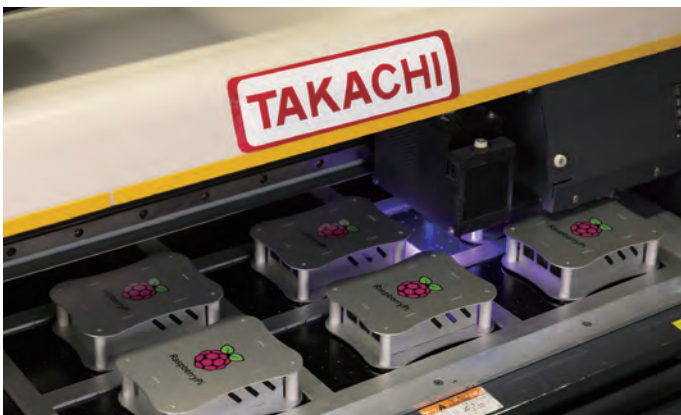
Power Supply



Customization services available at TAKACHI



Fiber laser machine allows the processing of aluminium sheets with both high precision and speed.
See page Custom-9 and website for further details.



Digital inkjet printing enables high quality full color printing with minimal tooling cost.
High resolution photo images and color gradation can also be printed with ease.
See page Custom-3 ~ Custom-4 and website for further details.



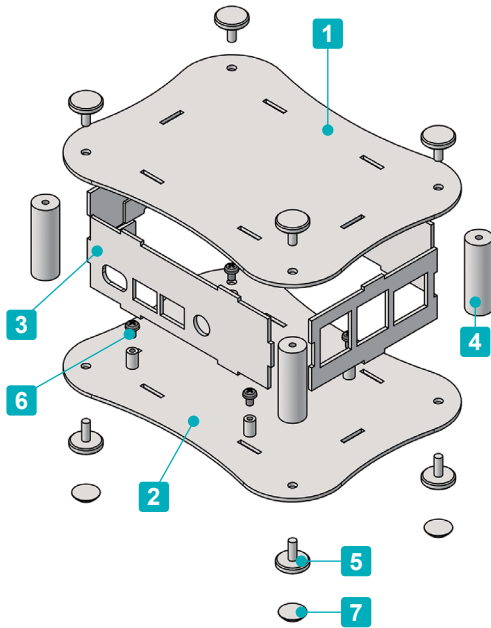
Installation of self-clinching standoffs and nuts are possible.
TAKACHI has over 100 different types of clinching standoffs and nuts available, which can be installed with precision and speed.
See page Custom-11 and website for further details.

Custom Color Anodization • Custom Color Painting



ROCK-5A

ROCK 5A/4C+ ALUMINIUM CASE



- Aluminium case compatible with OKdo ROCK 5 Model A and ROCK 4 Model C+ single board computer.
- Curved arc designed aluminium case with corner support columns.
- Knurled thumb screw allows easy hand assembly.
- ROCK single board is not included.

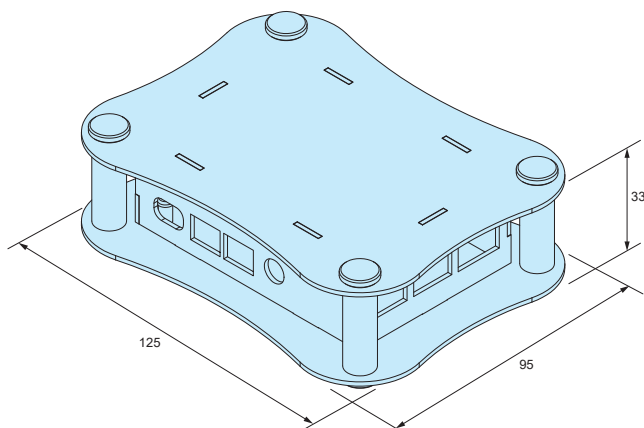
*Note that the panel power button part may easily bend when the board is not installed.

Components

No.	Part name	Pcs	Material	Color / Finish
1	Top cover	1	Aluminium A1100P	Silver / Anodized
2	Bottom cover	1	Aluminium A1100P	Silver / Anodized
3	Panel	4	Aluminium A1100P	Silver / Anodized
4	Pillar	4	Extruded aluminium A6063S-T5	Silver / Anodized
5	Knurled thumb screw (M3-8)	8	Brass	Nickel plated
6	Screw for Board (M2.5-4 pan head)	4	Steel	Trivalent chromate
7	Rubber feet	4	Synthetic rubber	Black

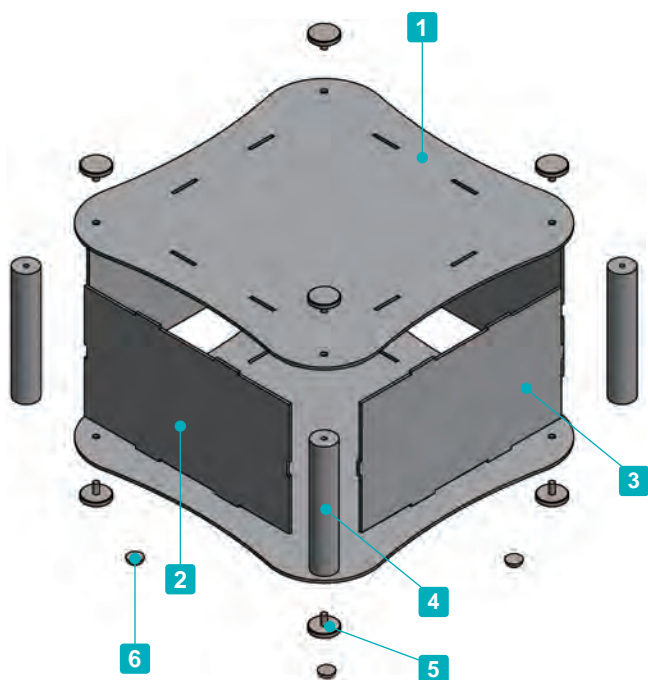
ROCK-5A dimensions

■ DXF/DWG/PDF/STP drawings available on our website.



Product no. / Details

Product no.	Weight (g)
ROCK-5A	161.2



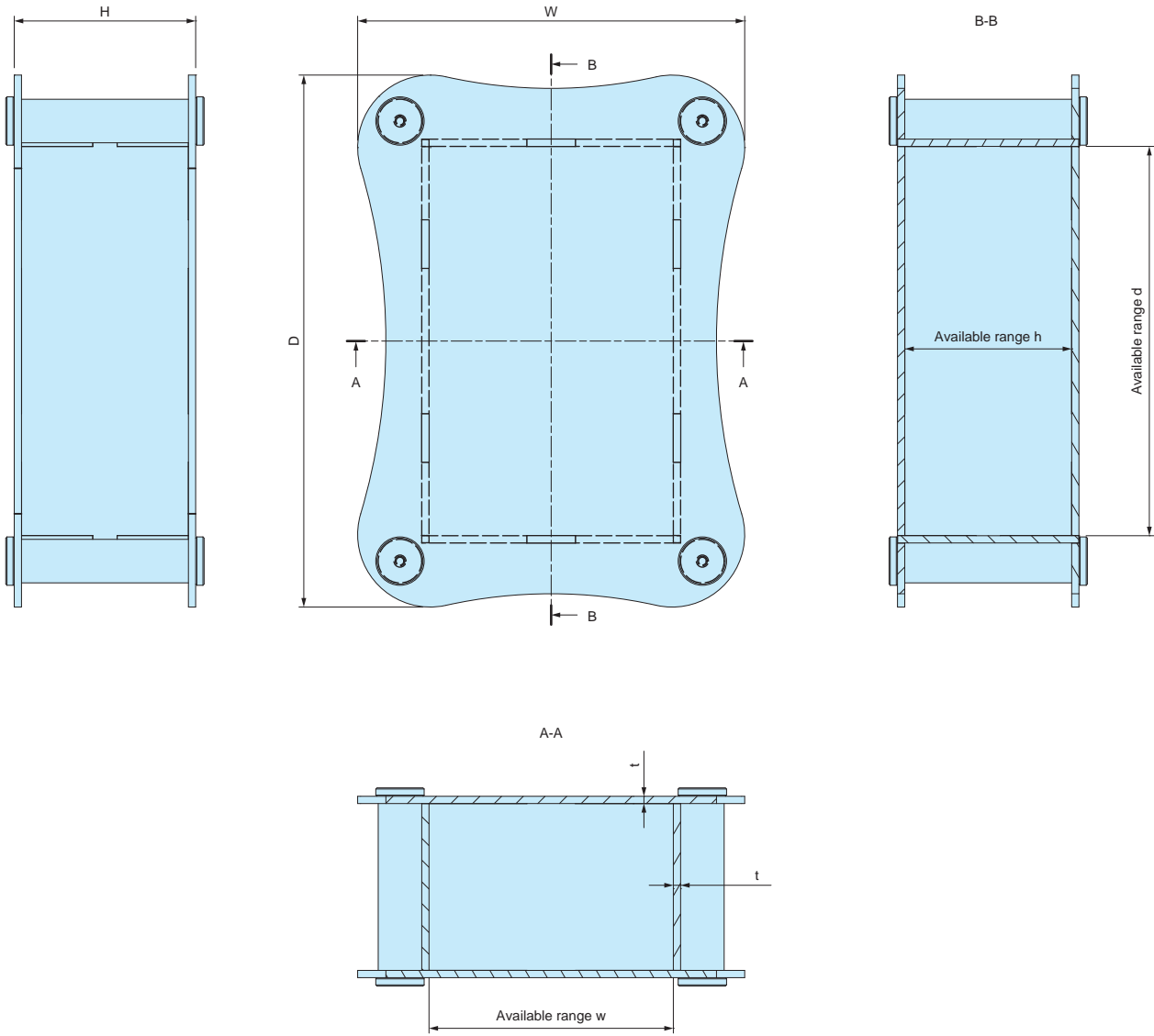
- Curved arc designed aluminium case with corner support columns.
- 6 different sizes are available.
- While elegantly designed, the flat panel structure allows for easy usage and customization.
- ALR11-5-17 and 11-8-17 models are compatible with the Euro Board. ALR18-7-18 and 18-10-18 models are compatible with the Mini ITX board.
- Possible to be used in a flat layout, or a standing layout.
- Knurled thumb screws for easy hand assembly.
- Custom size is available.

Components

No.	Part name	Pcs	Material	Color / Finish
1	Top - bottom cover	1 each	Aluminium A1100P	Silver anodized
2	W panel	2	Aluminium A1100P	Silver anodized
3	D panel	2	Aluminium A1100P	Silver anodized
4	Pillar	4	Extruded aluminium A6063S-T5	Silver anodized
5	Knurled thumb screw	8	Brass	Nickel plated
6	Rubber feet	4	Polyurethane	Transparent

ALR dimensions

■ DXF/DWG/PDF/STP drawings available on our website.



Product no. / Dimensions

Product no.	External dimensions			Available range (Internal)			t	Screw size	Compatible Board Size	Weight (g)
	W	H	D	w	h	d				
ALR10- 5-10	140	50	140	101	47	101	1.5	M3	—	274
ALR11- 5-17	163	45	223	101	41	161	2	M4	Euro Board (100 x 160)	653
ALR11- 8-17	163	75	223	101	71	161	2	M4		816.5
ALR18- 7-18	237	65	237	171	61	171	2	M4	Mini ITX (170 x 170)	1,004
ALR18-10-18	237	100	237	171	96	171	2	M4		1,225
ALR30- 7-20	362	70	264	296	66	196	2	M4	—	1,536

■ Similar transparent type design, as well as custom sizes are also available.



Skeleton acrylic case SKL series
See page 111 ~ 114



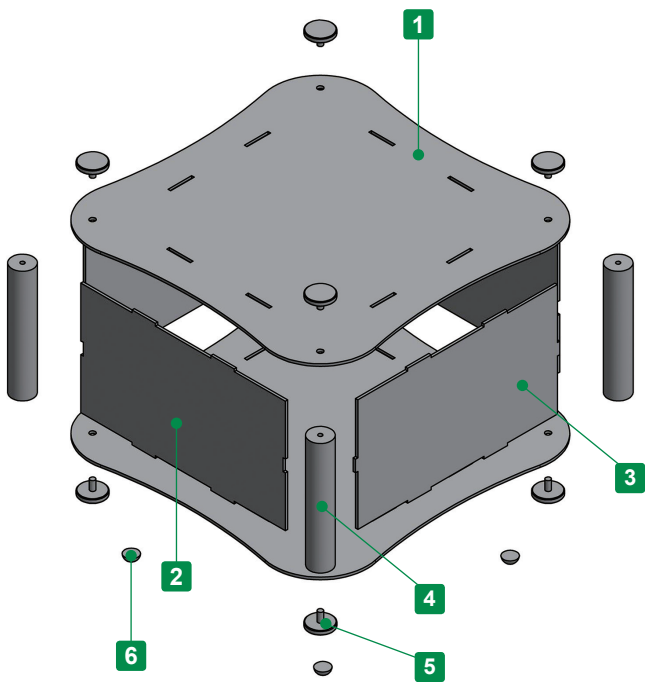
Custom sized skeleton acrylic case SKLF series
See website



Custom sized arc design aluminium case ALRF series
See website

ALRF SERIES

CUSTOM SIZED ARC DESIGN ALUMINIUM CASE 



- Adjustable sizes available in 1mm intervals, with W and D dimensions from 50 ~ 500mm, and H dimension from 30 ~ 500mm.
- Rubber feet can be provided if required in S (Φ11.2mm) or L (Φ15.7mm) sizes.
- Knurled thumb screws for easy hand assembly.

■ **Caution**

- On larger sized cases, the top cover may come loose if the middle part is held without support.



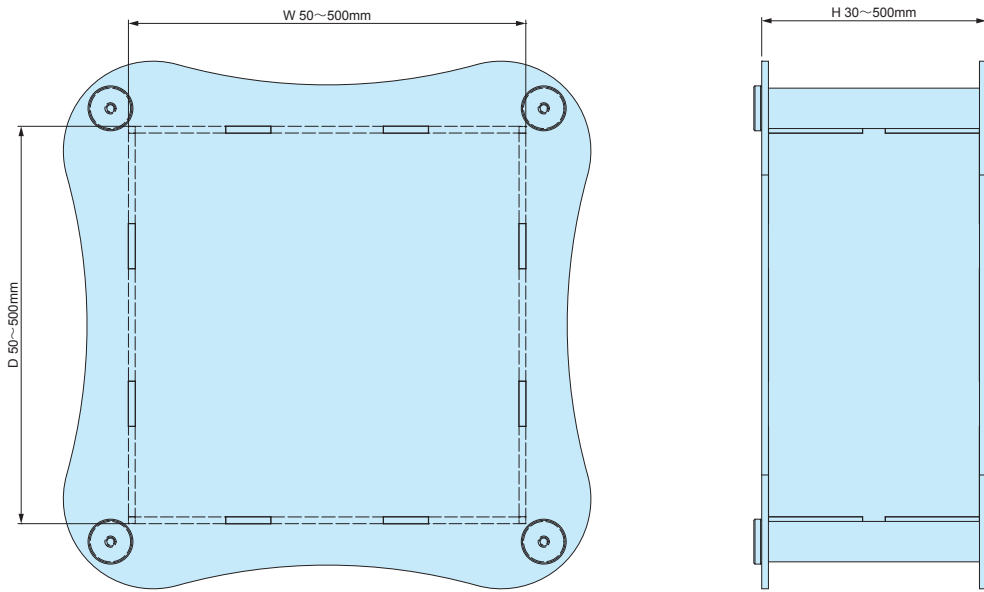
Components

No.	Part name	Pcs	Material	Color / Finish
1	Top • Bottom cover	1 each	Aluminium A1100P	Silver anodized
2	W panel	2	Aluminium A1100P	Silver anodized
3	D panel	2	Aluminium A1100P	Silver anodized
4	Pillar	4	Extruded aluminium A6063S-T5	Silver anodized
5	Knurled thumb screw	8	Brass	Nickel plated
6	Rubber feet	0 or 5	Polyurethane	Transparent

1 Specify Dimensions

Specify dimensions in 1mm intervals.

- ※ Specify rectangular case dimensions, not external dimensions.
Include panel thickness in H dimension.



- Panel thickness, knurled thumb screw sizes, and pillar types vary by W / D dimensions.

[S10] Type

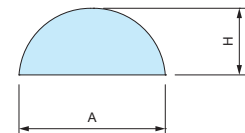
Dimension : refer to chart
 Panel thickness : t = 1.5mm
 Knurled thumb screw size : M3
 Pillar : $\Phi 10.0$ (external diameter)

[S18] タイプ

Dimension : refer to chart
 Panel thickness : t = 2.0mm
 Knurled thumb screw size : M4
 Pillar : $\Phi 18.0$ (external diameter)

2 Select Rubber feet

Code	A	H	Pack of
N (None)	—	—	—
S	11.2	5.1	5
L	15.7	7.9	5



Confirm Product No.

Confirm an assigned product number in the following order format as below.

Product no. ALRF - -
W H D S10 or S18 Rubber feet

Example : W = 100 mm, H = 50 mm, D = 120 mm, without rubber feet.

ALRF 100 - 50 - 120 S10 N

Lead time

Custom Size Only

8 business days (1 ~ 3 pcs)

Custom Size + Hole Milling

9 business days (1 ~ 3 pcs)

Order Inquiry

For more information, contact us here at sales@takachi-el.co.jp

ALRF Type Chart

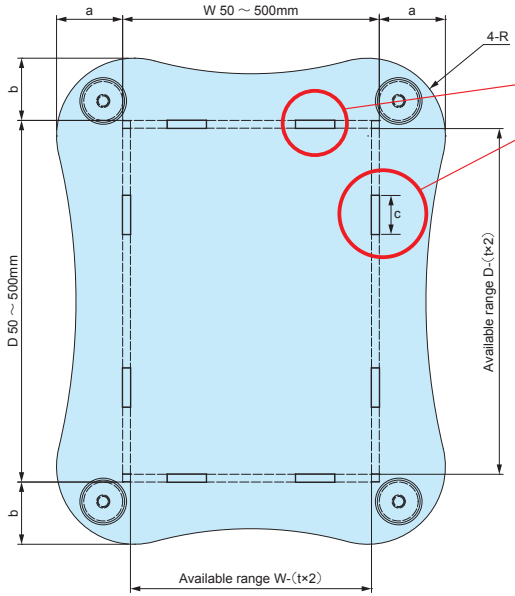
Refer to the below chart for S10 or S18 type selection by W & D dimensions.

[S10] type : t = 1.5mm • M3 screw • Φ10.0 pillar

[S18] type : t = 2.0mm • M4 screw • Φ18.0 pillar

W	H	D									
		50~100	101~150	151~200	201~250	251~300	301~350	351~400	401~450	451~500	
50~100	30~100	[S10] type									
	101~200										
	201~300										
	301~400										
	401~500										
101~150	30~100										
	101~200										
	201~300										
	301~400										
	401~500										
151~200	30~100										
	101~200										
	201~300										
	301~400										
	401~500										
201~250	30~100										
	101~200										
	201~300										
	301~400										
	401~500										
251~300	30~100										
	101~200										
	201~300										
	301~400										
	401~500										
301~350	30~100										
	101~200										
	201~300										
	301~400										
	401~500										
351~400	30~100										
	101~200										
	201~300										
	301~400										
	401~500										
401~450	30~100										
	101~200										
	201~300										
	301~400										
	401~500										
451~500	30~100										
	101~200										
	201~300										
	301~400										
	401~500										

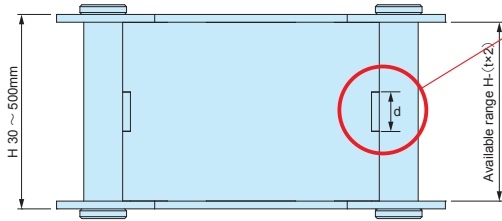
ALRF dimensions



Number of joints vary by specified W / D dimensions. Refer to the below chart for more information.

W dimension	Joints (one side)	D dimension	Joints (one side)
50~150	1	50~150	1
151~200	2	151~200	2
201~300	3	201~300	3
301~400	4	301~400	4
401~500	5	401~500	5

Connecting section c dimension = 20.0mm



Number of joints vary by specified H dimension. Refer to the below chart for more information.

H dimension	Joint d dimension	Joints (one side)
30~100	10mm	1
101~200	20mm	1
201~300	20mm	2
301~400	20mm	3
401~500	20mm	4

D dimension \ W dimension	50~100			101~150			151~200			201~250			251~300		
	a	b	R	a	b	R	a	b	R	a	b	R	a	b	R
50~100	17	17	15	17	17	15	29	28	15	29	28	15	30	28	15
101~150	17	17	15	18	18	25	29	29	25	30	29	25	30	29	25
151~200	28	29	15	29	29	25	31	31	40	31	31	40	32	31	40
201~250	28	29	15	29	30	25	31	31	40	33	33	50	33	33	50
251~300	28	30	15	29	30	25	31	32	40	33	33	50	35	35	60
301~350	35	37	15	36	38	25	38	39	40	40	41	50	42	42	60
351~400	35	38	15	36	38	25	38	40	40	40	41	50	42	43	60
401~450	35	38	15	36	39	25	38	40	40	40	42	50	42	43	60
451~500	35	39	15	36	39	25	38	41	40	40	42	50	42	44	60

D dimension \ W dimension	301~350			351~400			401~450			451~500		
	a	b	R	a	b	R	a	b	R	a	b	R
50~100	37	35	15	38	35	15	38	35	15	39	35	15
101~150	38	36	25	38	36	25	39	36	25	39	36	25
151~200	39	38	40	40	38	40	40	38	40	41	38	40
201~250	41	40	50	41	40	50	42	40	50	42	40	50
251~300	42	42	60	43	42	60	43	42	60	44	42	60
301~350	44	44	70	44	44	70	45	44	70	45	44	70
351~400	44	44	70	46	46	80	46	46	80	47	46	80
401~450	44	45	70	46	46	80	48	48	90	48	48	90
451~500	44	45	70	46	47	80	48	48	90	50	50	100