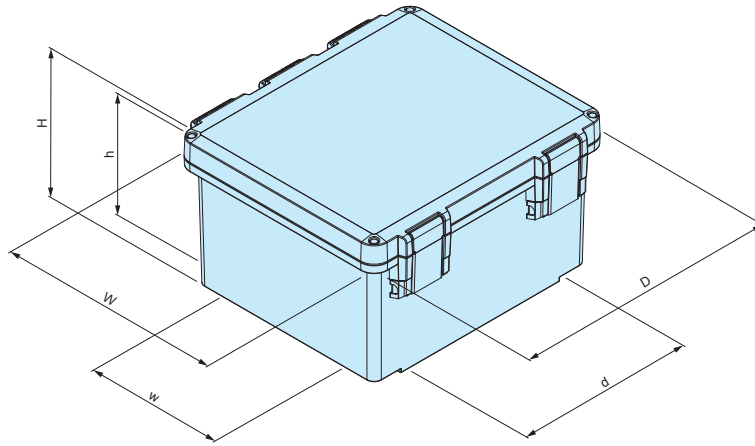


UPC dimensions

■ DXF/DWG/PDF/STP drawings available on our website.



Product no. / Details

Product no.	External dimensions			Internal dimensions			Weight (g)
	W	D	H	w	d	h	
UPC172213G	172	223	134	134.8	118	104.9	1,026
UPC232818G	225	276	185	185.8	169	155.7	1,736
UPC283318G	276	326	185	236.8	219	155.7	2,204
<b>NEW</b> UPC333818G	326	377	185	286.8	270	155.7	2,866
<b>NEW</b> UPC384323G	378	429	235	337.8	321	206.5	3,829
UPC434829G	431	482	286	388.8	372	257.3	4,902

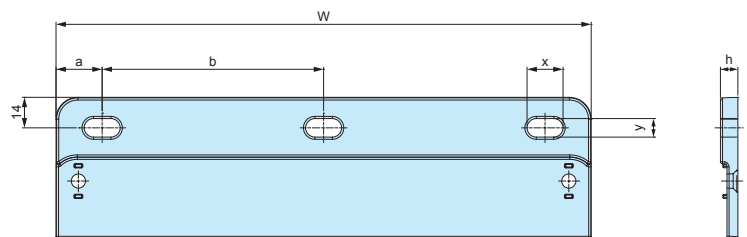


The underside of the enclosure has holes with insert nuts, which are used for mounting optional parts such as wall or pole mount brackets. Installation of parts can be done without the need for drilling or machining.

Accessories (Optional parts)

**UMF series** **WALL MOUNTING BRACKET for UPC**

■ DXF/DWG/PDF/STP drawings available on our website.



Components

No.	Part name	Pcs	Material	Color / Finish
1	Bracket	2	Polycarbonate	White gray (RAL7035)
2	Screw (Flat head UNF#10-32)	4	Stainless steel	Unfinished

Product no. / Details

Product no.	Dimensions						Weight (g)	Pack of
	W	a	b	h	x	y		
UMF17	143.5	21	50.8	8	16.5	8.5	98	2
UMF23	194.5	21.1	76.2	8	16.5	8.5	128	2
UMF28	245.5	21.2	101.6	8	16.5	8.5	163	2
<b>NEW</b> UMF33	295.5	20.8	127	8	16.5	8.5	188	2
<b>NEW</b> UMF38	346.5	20.9	152.4	8	16.5	8.5	219	2
UMF43	397.5	46.4	152.4	10	16.4	8.4	274	2